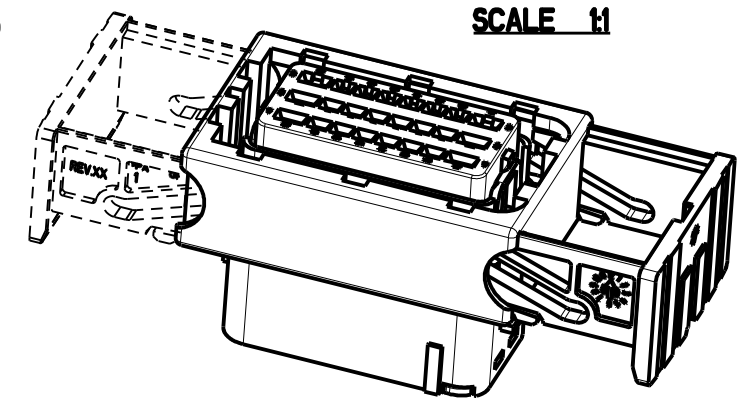
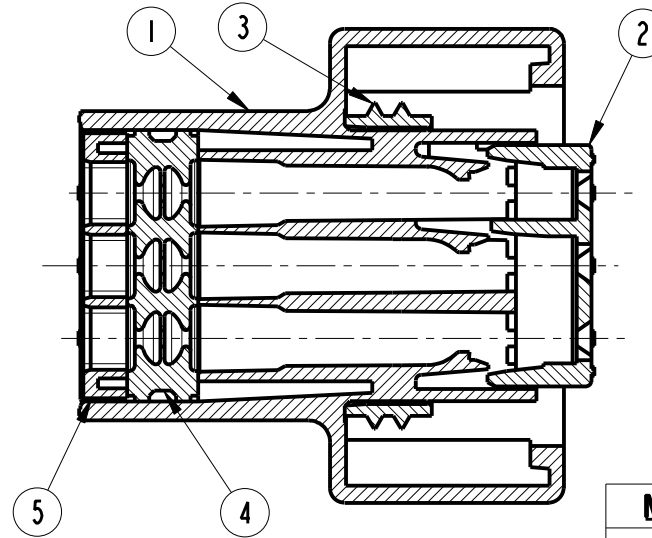
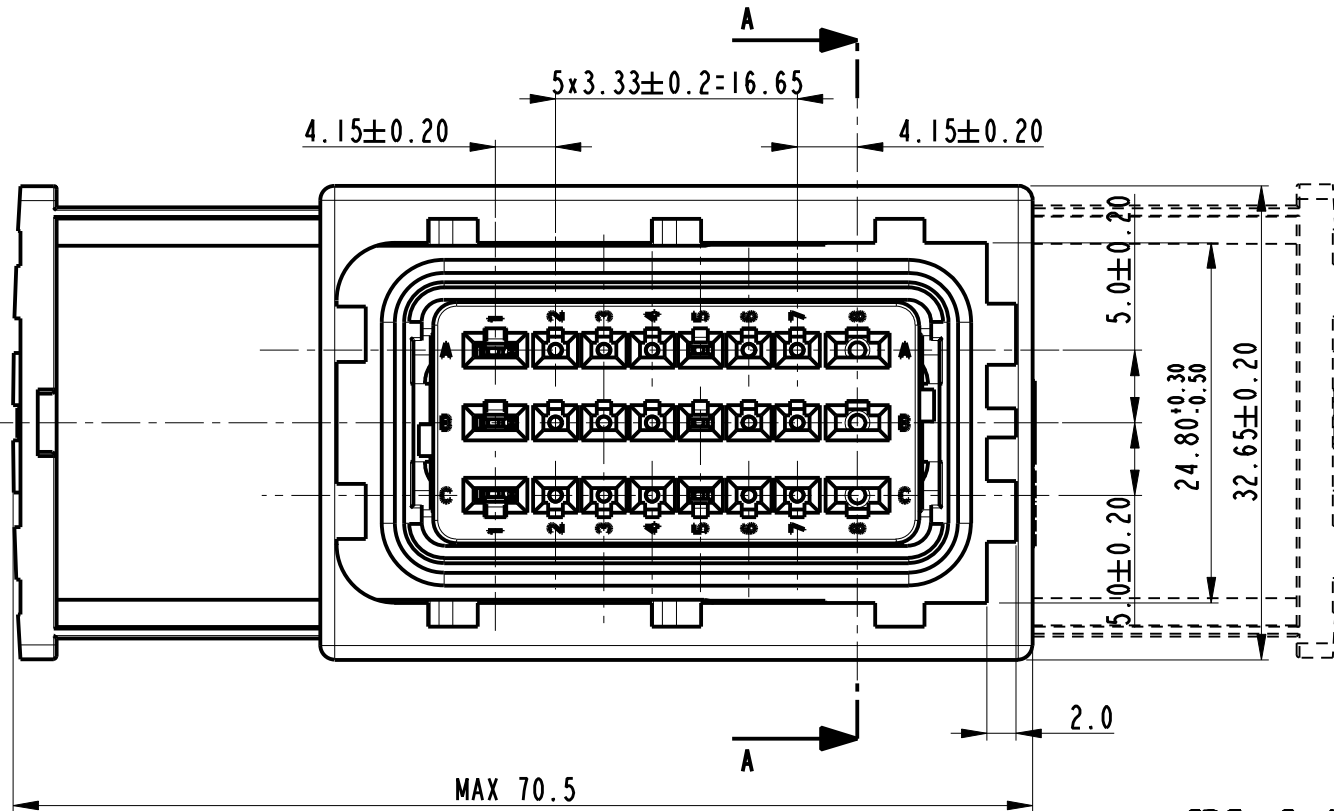


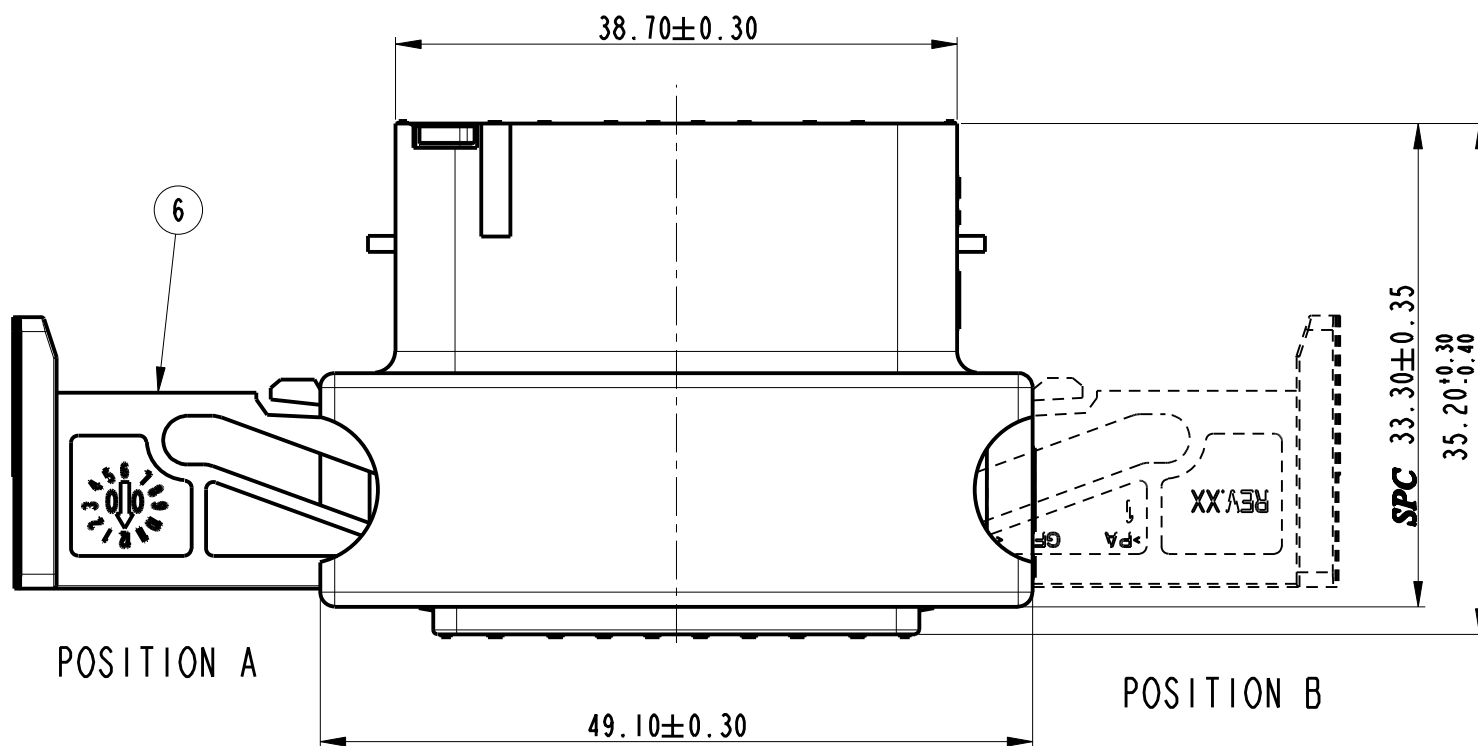
DRAWING NUMBER FSC 309602 REVISION D SHEET 1/2 APPROVAL LEVEL  
 NUMERO DISEGNO FSC 309602 REVISIONE D FOGLIO 1/2 LIV. DI APPROVAZIONE  
 DRAWING C

SECTION A-A



N°	DESCRIPTION	COLOR	MATERIAL
1	HOUSING	BLACK-BROWN BLUE-GREY NAUTRAL-GREEN-ORANGE	SEE SHEET 2/2
2	SEC. LOCK	YELLOW	PBT
3	GASKET	RED	SILICON
4	GROMMET	RED, GREEN or BLUE	SILICON
5	GROMMET STOP	BLACK	PBT
6	SLED	VIOLET or GREY	PA 6.6

SPC Statistical Process Control



ECN-NO.	DATE	DD/ MM / YY	REVISION	POSITION	CHANGE DESCRIPTION	DRAWN BY	CHK. BY	APPR. BY
	27-09-2017		D	A7	Added new pns (dark blue, red, light brown, light green, purple)	GB		GI
14-10942	28-11-2014		C	-	Deleted obsolete part numbers on the table	<b>F.G.</b>		<b>M.C.</b>
14-03142	05/03/14		B	A7	Added new pn33403921-33403922-33403923	GB	FG	MC
14-11	05/08/11		A	--	Added pn 211PC249S8018	GB	FG	MC
38-07	02/05/07		11	C7	Added PN 211PC249S8063, Deleted PN 211PC249S8018 Reduced rib length	GB	FG	MC
29-2007	29-03-2007		10	--	Ass'y 211PC249S8043, changed Hsg-mll. 11 was PA 6	EC		MC
21-06	13-03-06		09	--	Added new PN	E.Cini		M.C.
ECN 85/05	16/12/05		08		See ECN Documentation	E.C.		M.C.
ECN 17/04	28/05/04		07		See ECN Documentation	E.C.		M.C.
ECN 10/04	17/02/04		06		ADDED 3 CATALOG NUMBERS ( SEE SHEET 3 )	R.R.	G.S.	
ECN 41/03	05/11/03		05		RELEASED FOR PRODUCTION	R.R.	G.S.	
	28/10/03		04		UPDATED DRAWING	R.R.	G.S.	
	01/09/03		03		MODIFIED MATERIAL FOR THE FOLLOWING P/N 211PC249SX020 - 211PC249SX023 - 1211PC249SX033 WAS PAF GF IS PBT GF	R.R.	G.S.	
	28/05/03		02		ADDED P/N 211PC249SX043	R.R.	G.S.	
	21/03/03		01		UPDATED DRAWING	R.R.	G.S.	

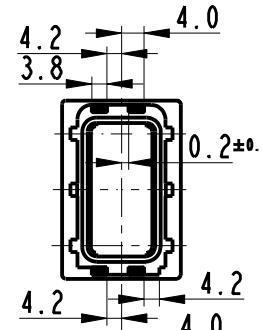
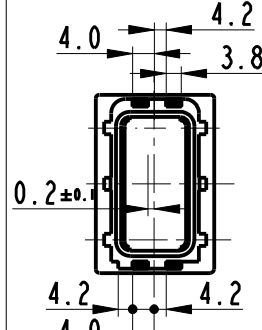
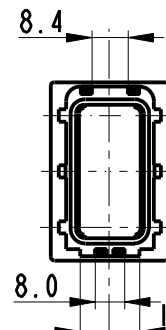
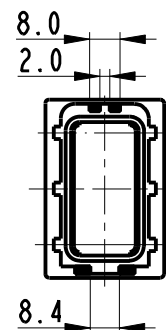
PRODUCT SPEC. SPEC. DI PRODOTTO	PACKAGING SPEC. SPEC. DI IMBALLAGGIO	APPLICATION SPEC. SPEC. DI APPLICAZIONE	COPYRIGHT DELPHI CORPORATION AND/OR ITS AFFILIATES. ALL RIGHTS RESERVED. REVISED THIS DRAWING IS THE PROPERTY OF DELPHI CORPORATION. THE REPRODUCTION, DISTRIBUTION AND UTILIZATION OF THIS DOCUMENT OR ITS RELATED CAD MATH DATA, AS WELL AS COMMUNICATION OF ANY CONTENT TO OTHERS, WITHOUT EXPRESS AUTHORIZATION IS PROHIBITED.	CONTRIBUZIONI DELPHI CORPORATION E I SUOI AFFILIATI. TUTTI I DIRITTI RISERVATI. QUESTO DISEGNO E' PROPRIETA' DI DELPHI CORPORATION E CONTIENE INFORMAZIONI CONFIDENZIALI. LA RIPRODUZIONE, DISTRIBUZIONE E UTILIZZAZIONE DI QUESTO DOCUMENTO O DELLE SUE RELATIVE MATERIALI CAD, NONCHE' LA COMUNICAZIONE DI QUALSIASI CONTENUTO AD ALTRI, SENZA ESPLICITA' AUTORIZZAZIONE, E' PROIBITA.
TOLERANCES TOLLERANZE	± 0.3 mm / ± 1°	MATERIAL : MATERIALE :	see table	SURFACE FINISH FINITURA SUPERFICIALE
COUNTERPART Nr. CONTROPARTE Nr.		COLOUR : COLORE :		
DO NOT SCALE DRAWING DISEGNO FUORI SCALA	DATE DATA	NAME NOME	TITLE DESCRIZIONE	LOC. CODE NAZIONALITA' IT
DRAWN BY DISSEGNAZIONE	09/01/03	R. Rompono	24 WAYS SECTIONING ASSEMBLY FEMALE HOLDER	DRAWING NUMBER NUMERO DISEGNO
CHECKED BY CONTROLLATO	09/01/03	G. Stello		FSC 309602
APPROVED BY APPROVATO			ESR NO. NUMERO ESR	FILE NAME NOME FILE
			ITA2043	fsc309602_conn.pf
			CAT. NO. NUMERO CAT.	SCALE SCALA
			see table	2:1

CODING TABLE  
Tavola di codifica

TOLERANCES ±0.2  
Tolleranze

FRONT VIEW  
Vista frontale

■ : FULL  
Pieno



COLOR

BLACK / NATURAL / GREEN  
ORANGE / DARK BLUE / RED  
LIGHT BROWN / LIGHT GREEN  
PURPLE

GREY

BROWN

BLUE

DRAWING NUMBER FSC 309602 REVISION D SHEET 2/2 APPROVAL LEVEL C  
 NUMERO DISEGNO C

**COMPONENTS**

MVL P/Ns DELPHI P/Ns	HOUSING	HOUSING MATERIAL	SEC. LOCK	GASKET	GROMMET "RED"	GROMMET "GREEN"	GROMMET "BLUE"	GROMMET STOP BLACK	GROMMET STOP 12# GREEN	SLED VIOLET "RENAULT"	SLED VIOLET "NEUTRAL" Position -A-	SLED VIOLET "NEUTRAL" Position -B-	SLED "GREY"
21IPC249S0018 33504100 Rev01	Block	PA 6	Yes	Yes	Yes			Yes			Yes		
21IPC249S8018 33504103 Rev01	Grey	PA 6	Yes	Yes		Yes		Yes			Yes		
21IPC249S0031 33503458 Rev01	Black	PA 6	Yes	Yes	Yes			Yes				Yes	
21IPC249S1031 33503459 Rev01	Brown	PA 6	Yes	Yes	Yes			Yes				Yes	
21IPC249S0020 13751295 Rev01	Black	PBT	Yes										
21IPC249S1020 13751296 Rev01	Brown	PBT	Yes										
21IPC249S8020 13751294 Rev01	Grey	PBT	Yes										
21IPC249S0023 10776496 Rev01	Black	PBT	Yes	Yes	Yes			Yes					
21IPC249S8023 15535519 Rev01	Grey	PBT	Yes	Yes	Yes			Yes					
21IPC249S0033 10820454 Rev01-B	Black	PBT	Yes	Yes		Yes		Yes					
21IPC249S1033 13841561 Rev01	Brown	PBT	Yes	Yes		Yes		Yes					
21IPC249S6033 33500315 Rev01	Blue	PBT	Yes	Yes		Yes		Yes					
21IPC249S8033 13841588 Rev01	Grey	PBT	Yes	Yes		Yes		Yes					
21IPC249S0053 33504115 Rev01	Black	PBT	Yes	Yes		Yes		Yes				Yes	
21IPC249S8063 33503460 Rev01	Grey	PBT	Yes	Yes		Yes		Yes			Yes		
1 726 12 05 13593425 Rev01	Black	PBT	Yes	Yes		Yes		Yes					
33403921 Rev01	Natural	PBT	Yes	Yes		Yes		Yes					
33403922 Rev01	Green	PBT	Yes	Yes		Yes		Yes					
33403923 Rev01	Orange	PBT	Yes	Yes		Yes		Yes					
35141428	Dark blue	PBT	Yes	Yes		Yes		Yes					
35141595	Red	PBT	Yes	Yes		Yes		Yes					
35141598	Light brown	PBT	Yes	Yes		Yes		Yes					
35141599	Light green	PBT	Yes	Yes		Yes		Yes					
35141600	Purple	PBT	Yes	Yes		Yes		Yes					



1 726 12 05  
 12 WAYS CLOSED VERSION  
 A2,A3,A4,A5,A6,A7  
 C2,C3,C4,C5,C6,C7

ECN-NO. / NUMERO ECO	DATE / DATA	DD / MM / YY	REVISION / REVISIONE	POSITION / POSIZIONE	CHANGE DESCRIPTION / DESCRIZIONE MODIFICA	DRAWN BY / DISSEGNA	CHK. BY / CONTROLLATO	APPR. BY / APPROVATO
	27-09-2017		D	A7	Added new pas (dark blue,red,light brown,light green,perplet)	GB		GI
14-10942	28-11-2014		C	-	Deleted obsolete part numbers on the table	FG		MC
14-03142	05/03/14		B	A7	Added new pn33403921-33403922-33403923	GB	FG	MC
14-11	05/08/11		A	--	Added pn 21IPC249S8018	GB	FG	MC
38-07	02/05/07		11	C7	Added PN 21IPC249S8063, Deleted PN 21IPC249S8018 Reduced rib length	GB	FG	MC
29-2007	29-03-2007		10	--	Ass'y 21IPC249S8043, changed Hsg-mtl. It was PA 6	EC		MC
21-06	13-03-06		09	--	Added new PN	[Cini]		M.C.
ECN 85/05	16/12/05		08		See ECN Documentation	E.C.		M.C.
ECN 17/04	28/05/04		07		See ECN Documentation	E.C.		M.C.
ECN 10/04	17/02/04		06		ADDED 3 CATALOG NUMBERS ( SEE SHEET 3 )	R.R.G.S.		
ECN 41/03	05/11/03		05		RELEASED FOR PRODUCTION	R.R.G.S.		
	28/10/03		04		UPDATED DRAWING	R.R.G.S.		
	01/09/03		03		MODIFIED MATERIAL FOR THE FOLLOWING P/N 21IPC249S8024 - 21IPC249S8023 - 321IPC249S8033 HNS PAB GR 15 PBT GR	R.R.G.S.		
	28/05/03		02		ADDED P/M 21IPC249SX043	R.R.G.S.		
	21/03/03		01		UPDATED DRAWING	R.R.G.S.		

PRODUCT SPEC. / SPEC. DI PRODOTTO	PACKAGING SPEC. / SPEC. DI IMBALLAGGIO	APPLICATION SPEC. / SPEC. DI APPLICAZIONE	COPYRIGHT / DELPHI CORPORATION AND/OR ITS AFFILIATES. ALL RIGHTS RESERVED. REVISIO
TOLERANCES / TOLLERANZE: ± 0.1mm / ± 0.1"			MATERIAL: / MATERIALE: see table
SURFACE FINISH / FINITURA SUPERFICIALE			DELPHI
DRAWING NUMBER / NUMERO DISEGNO: 24 WAYS SECTIONING ASSEMBLY FEMALE HOLDER			FSC 309602
FILE NAME / NOME FILE: fsc309602.conn.pf			SCALE / SCALA: 2:1