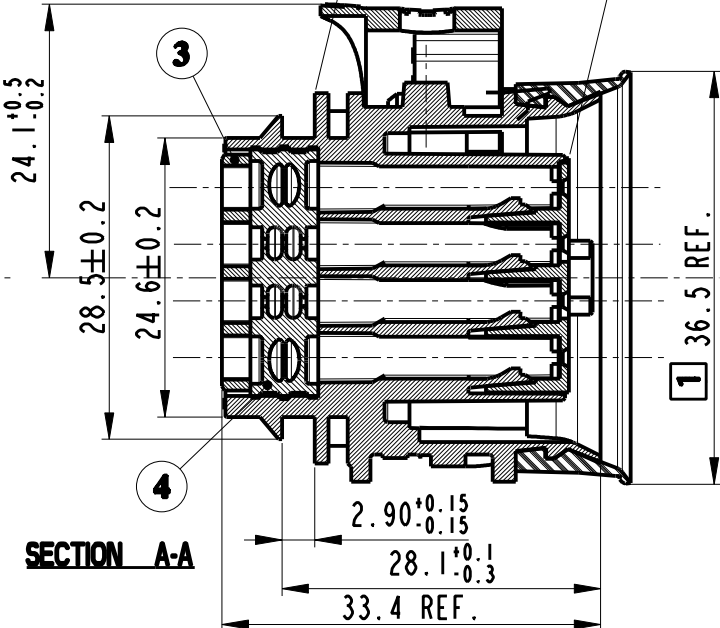
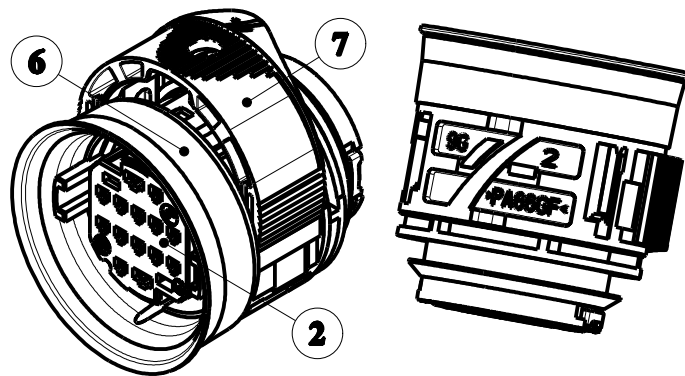


SCALE 3:2



SECTION A-A



① PUNTO D'INIEZIONE: Ammesso mancante di stampaggio
 Is admitted breakage of injection point

- This connector is designed for the following female contacts:

- | | | | | |
|----------------|----------|---|----------------|----------|
| 211 CC 2S 1120 | 10738188 | - | 211 CC 3S 1120 | 10725666 |
| 211 CC 2S 1150 | 15368842 | - | 211 CC 3S 2120 | 15368841 |
| 211 CC 2S 2150 | 10725808 | | | |
| 211 CC 2S 1160 | 10740374 | | | |
| 211 CC 2S 2160 | 10756749 | | | |

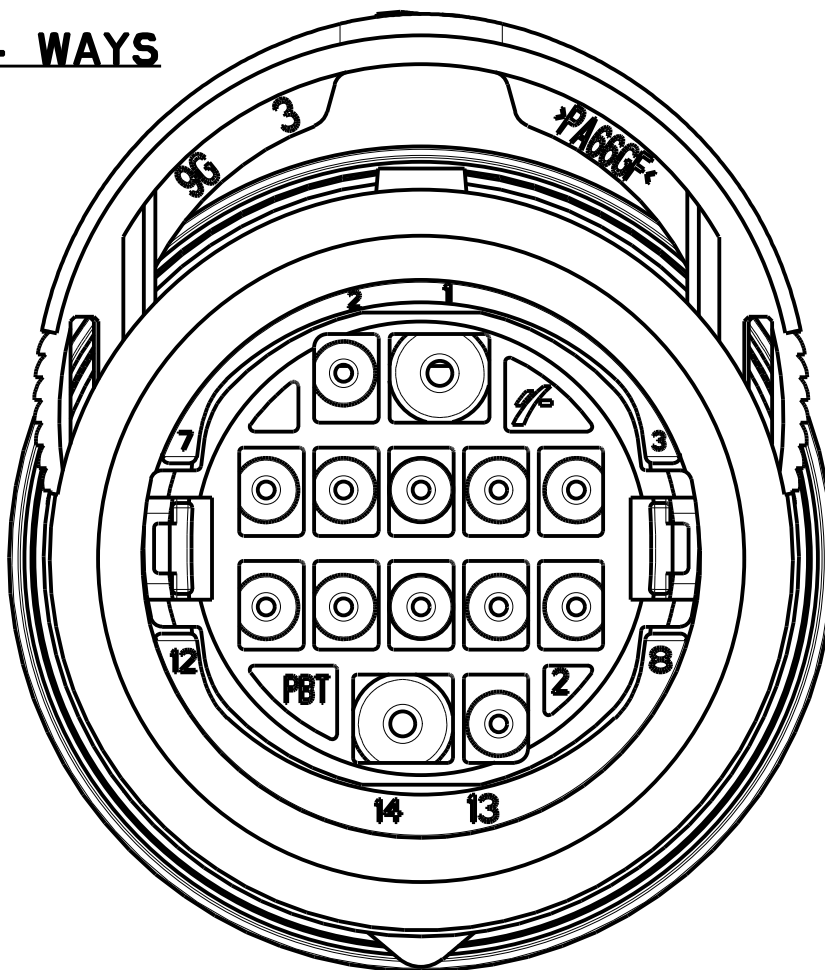
◇ CAPABILITY

- For use and mating operation : see spec. IPS 170

① External gasket maximum clearance after mating male and female holder.


CR-16/5199		11-10-2016	A	-	UPDATED FRAME AND ADDED DPN	F.G.	G.I.
ECN-NO. NUMERO -ECN	DATE DD / MM / YY DATA	REVISION REVISIONE	POSITION POSIZIONE	CHANGE DESCRIPTION DESCRIZIONE MODIFICA	DRAWN BY DISEGNATORE	CHK. BY CONTROLLATO	APPR. BY APPROVATO
PRODUCT SPEC. SPEC. DI PRODOTTO	PACKAGING SPEC. SPEC. DI IMBALLAGGIO	APPLICATION SPEC. SPEC. DI APPLICAZIONE	COPYRIGHT DELPHI CORPORATION AND/OR ITS AFFILIATES. ALL RIGHTS RESERVED. REVISED THIS DRAWING IS THE PROPERTY OF DELPHI CORPORATION. THE REPRODUCTION, DISTRIBUTION AND UTILIZATION OF THIS DOCUMENT OR ITS RELATED CAD MATH DATA, AS WELL AS COMMUNICATION OF ANY CONTENT TO OTHERS, WITHOUT EXPRESS AUTHORIZATION IS PROHIBITED.				
TOLERANCES TOLLERANZE	± 0.3mm / ±2'	MATERIAL : MATERIALE :	SURFACE FINISH FINITURA SUPERFICIALE		DELPHI DELPHI PACKARD ELECTRICAL/ELECTRONIC ARCHITECTURE TORINO, ITALY		
COUNTERPART Nr. CONTROPARTE Nr.		COLOUR : COLORE :			C	ISO PROJECTION PROIEZIONE ISO	DIMENSION IN MILLIMETERS DIMENSIONI IN MILLIMETRI
DO NOT SCALE DRAWING DISEGNO FUORI SCALA		TOOL NO.		LOC. CODE NAZIONALITA' IT	DRAWING NUMBER NUMERO DISEGNO FSA 309138		CAD SYSTEM pro / eng. DWG SIZE FORMATO A4
DRAWN BY DISEGNATORE	DATE DATA	NAME NOME	TITLE DESCRIZIONE		SHEET FOGLIO 1		SCALE SCALA 1:1
CHECKED BY CONTROLLATO			DOOR TO BODY 14 WAYS ASSY FEMALE HOLDER SEALED VERSION		of 1 di 2		
APPROVED BY APPROVATO	DATE DATA	NAME NOME	ESR NO. NUMERO ESR	CAT. NO. NUMERO CAT.	FILE NAME NOME FILE FSA 309138		

14 WAYS



FEMALE HOLDER CONNECTOR WITH ALL OPENED CAVITIES.

7	<i>Slide</i>	<i>Gray</i>	DTBFHPE14BKS 33517516
6	<i>External Gasket</i>	<i>Black</i>	
5	<i>Internal Gasket</i>	<i>Red</i>	
4	<i>Grommet</i>	<i>Red</i>	
3	<i>Premi Grommet</i>	<i>Black</i>	
2	<i>Secondary Lock</i>	<i>Yellow</i>	
1	<i>14 Way Female Holder</i>	<i>Black</i>	
ITEM	COMPONENT DESCRIPTION	COLOUR	ASSY P/N

CR-16/5199		11-10-2016		A	-	UPDATED FRAME AND ADDED DPN		F.G.	G.I.	
ECN-NO. NUMERO -ECN	DATE DATA	DD / MM / YY	REVISION REVISIONE	POSITION POSIZIONE	CHANGE DESCRIPTION DESCRIZIONE MODIFICA			DRAWN BY DISEGNATORE	CHK. BY CONTROLLATO	APPR. BY APPROVATO
PRODUCT SPEC. SPEC. DI PRODOTTO	PACKAGING SPEC. SPEC. DI IMBALLAGGIO	APPLICATION SPEC. SPEC. DI APPLICAZIONE		COPYRIGHT DELPHI CORPORATION AND/OR ITS AFFILIATES. ALL RIGHTS RESERVED. REVISED THIS DRAWING IS THE PROPERTY OF DELPHI CORPORATION. THE REPRODUCTION, DISTRIBUTION AND UTILIZATION OF THIS DOCUMENT OR ITS RELATED CAD MATH DATA, AS WELL AS COMMUNICATION OF ANY CONTENT TO OTHERS, WITHOUT EXPRESS AUTHORIZATION IS PROHIBITED.						
TOLERANCES TOLLERANZE $\pm 0.3mm / \pm 2'$		MATERIAL : MATERIALE :			SURFACE FINISH FINITURA SUPERFICIALE		DELPHI DELPHI PACKARD ELECTRICAL/ELECTRONIC ARCHITECTURE TORINO, ITALY		CAD SYSTEM pro / eng.	
COUNTERPART Nr. CONTROPARTE Nr.		COLOUR : COLORE :			TOOL NO.		LOC. CODE NAZIONALITA' IT		 DIMENSION IN MILLIMETERS DIMENSIONI IN MILLIMETRI	
DO NOT SCALE DRAWING DISEGNO FUORI SCALA		TITLE DESCRIZIONE			DRAWING NUMBER NUMERO DISEGNO		SHEET FOGLIO		DWG SIZE FORMATO A4 of 2 di 2	
DRAWN BY DISEGNATORE	DATE DATA	NAME NOME	DOOR TO BODY 14 WAYS ASSY FEMALE HOLDER SEALED VERSION			FSA 309138		FILE NAME NOME FILE FSA309138		SCALE SCALA 1:1
CHECKED BY CONTROLLATO	23-03-04	E.CINI	ESR NO. NUMERO ESR	CAT. NO. NUMERO CAT.	SEE TABLE					
APPROVED BY APPROVATO	23-03-04	MCOLONDO								