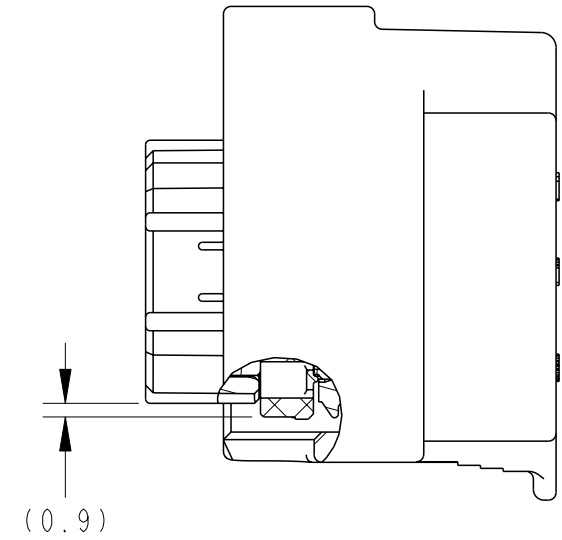
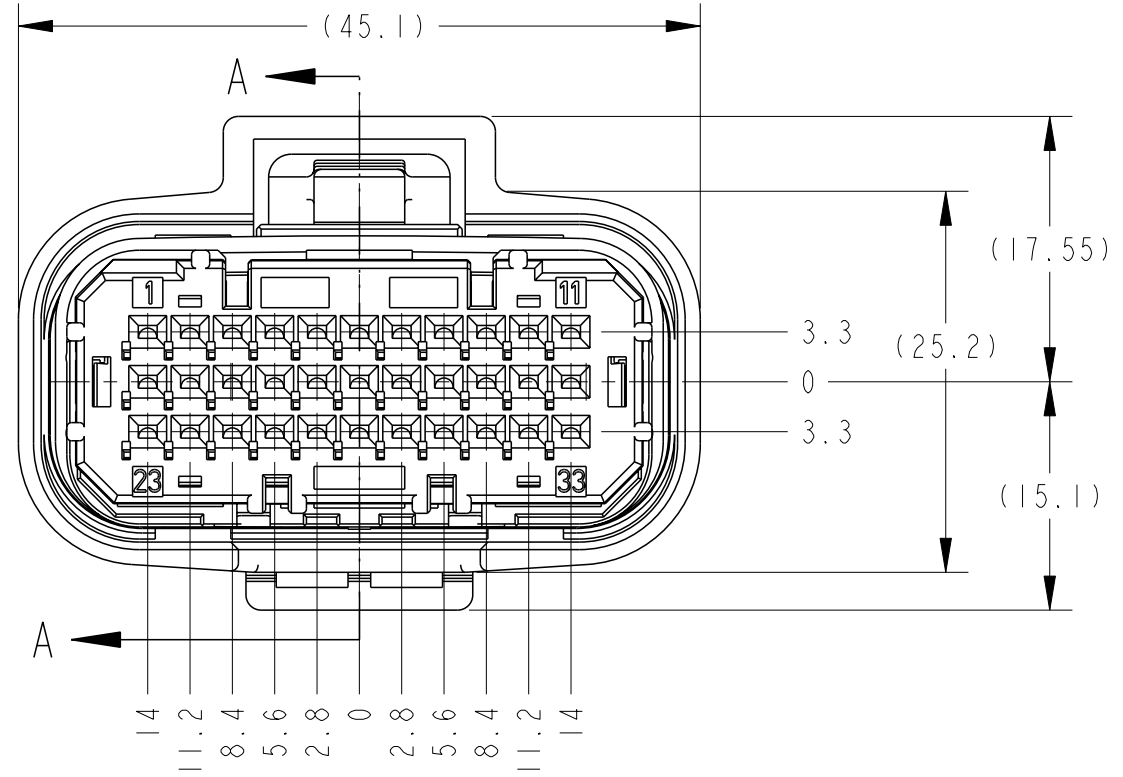
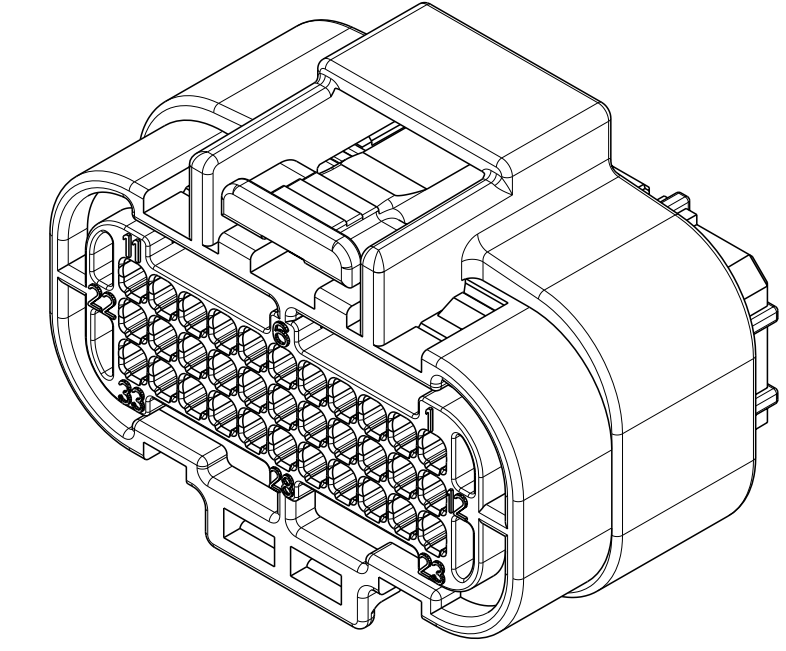
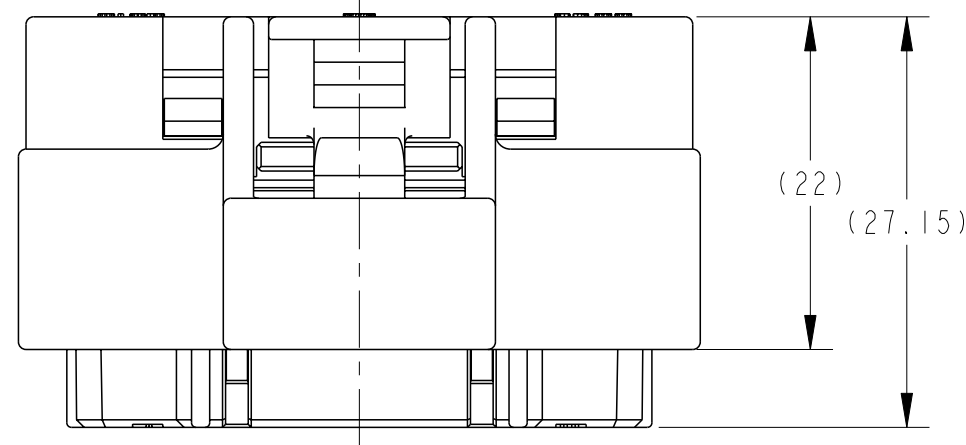


THIS DRAWING IS UNPUBLISHED. RELEASED FOR PUBLICATION 2018
 © COPYRIGHT 2018 BY Tyco Electronics Japan G.K. ALL RIGHTS RESERVED.

REVISIONS					
P	LTR	DESCRIPTION	DATE	DWN	APVD
A		RELEASED	25JAN11	K.S	Y.F
A1		OBSOLETE ECR-11-011406	01JUN11	K.S	Y.F
A2		REVISED ECR-18-000954	29JAN18	KF	TK
A3		REVISED ECR-19-012070	05AUG2019	KF	TK



- MATING CONNECTOR: 1554458-2
- RETAINER SHALL BE PRE-ASSEMBLED
- APPLICABLE TERMINAL: SEE TABLE-1
- APPLICABLE CABLE DIA: 1.6-2.2mm
- APPLICABLE CAVITY PLUG: 1981562-1
- HANDLING MANUAL: 411-78362

- 嵌合相手コネクタ: 1554458-2
- リテーナは仮停止状態で出荷されること
- 適用端子は、TABLE-1を参照のこと
- 適用電線被覆外径: 1.6-2.2mm
- 適用キャビティプラグ: 1981562-1
- 本製品の取り扱い説明書: 411-78362

TABLE-1

APPLICABLE TERMINAL P/N 適用端子品番	APPLICABLE WIRE SIZE 適用電線サイズ	APPLICABLE WIRE TYPE 適用電線種類	ACCEPTABLE CAVITY No. 適用回路番号
1554723-1	0.5mm ²	AVSS, AVSSH	1~33
1939351-1	1.25mm ²	AVSS, AVSSH	1, 3, 8, 11, 23, 25, 31, 33

SOFT TRAY プラスチックトレイ	PAPER BOX ダンボール箱	BLACK	PBT	33P PLUG ASSEMBLY	1554461-2
INNER 内装	OUTER 外装	COLOR	MATERIAL	PART NAME	PART NUMBER
PACKING STYLE 梱包仕様					

THIS DRAWING IS A CONTROLLED DOCUMENT.

DIMENSIONS: 単位: 桁 mm	TOLERANCES UNLESS OTHERWISE SPECIFIED: 一般公差 ±0.3 0-PLC ±0.5 1-PLC ±0.13 2-PLC ±0.13 3-PLC ±0.001 4-PLC ±0.001 ANGLES ±3°00'	FINISH 仕上	DWN K.SHIGA 25JAN11	TE Connectivity NAME Y.FUJIIWARA PRODUCT SPEC 108-78718 APPLICATION SPEC 114-5470, -5400	SIZE	CAGE CODE	DRAWING NO	RESTRICTED TO
MATERIAL 材料 SEE TABLE			CHK E.SASAKI 25JAN11		A2	00779	C=1554461	-
			APVD Y.FUJIIWARA 25JAN11		WEIGHT	21.7 g		
					CUSTOMER DRAWING		SCALE 2:1	SHEET 1 OF 1