

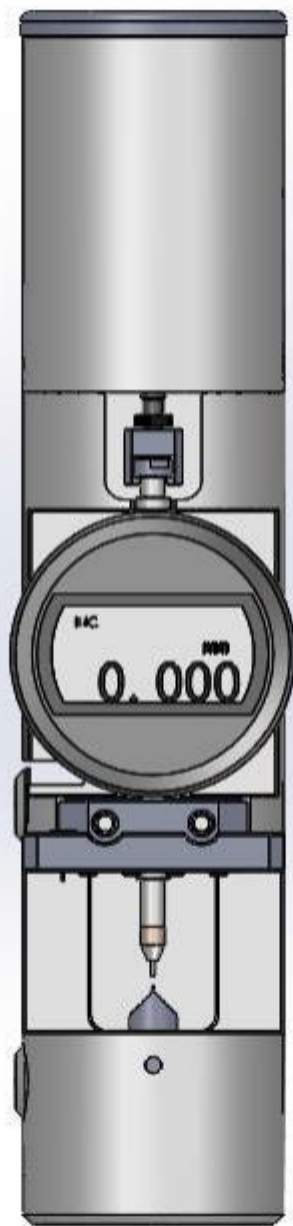
---

# Crimped height meter

## Instructions manual

### (Chinese version)

(EW-2550)



---

# catalogue

1. Preface.....	1
2. Product overview.....	2
2.1 Overview and characteristics of products.....	2
2.2 Technical parameters.....	2
3. Instrument general diagram and description.....	3
4. Operation guide.....	4
4.1 Installation and connection.....	4
4.2 The thousand points table is introduced in detail.....	4
4.2.1 Introduction of the button function.....	4
4.2.2 Rotation display.....	4
4.3 Instructions for use.....	5

---

---

## 2. Product overview

### 2.1 Product Overview and Characteristics:

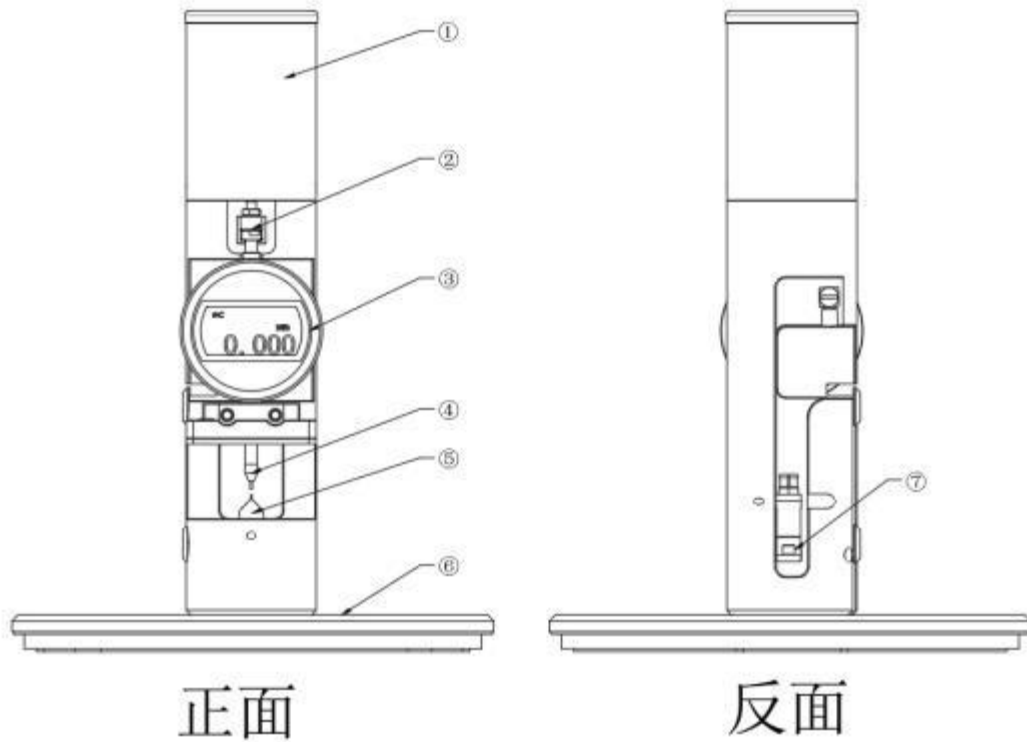
- 👉 Simple and convenient operation, small volume, save space space.
- 👉 An integrated quality control tool. Suitable for measuring the terminal compression height at any time during wire harness production, And the recording of the data.
- 👉 It can be integrated with the host system and automatic data input to avoid manual input errors.
- 👉 High-precision terminal side head, to ensure the measurement accuracy.
- 👉 Constant measurement of force ensures the consistency of the operation results of different operators.
- 👉 Integrated LED lighting, is more convenient to use.

### 2.2 Technical parameters:

model		
measuring range	0-10mm	
accuracy	0.001	0.01
communication mode	RS232	
source	DC24V	
air supply	0.4-0.6MPa	

### 3. Instrument general diagram and description

General diagram description:



order number	name
1	On the cover
2	Measure the pole hanging head
3	dial gauge
4	The micrometer measures the needle
5	Thousand-meter flat test head
6	Micrometer fixed base
7	Measure the button

## 4. Guide to operation

general rules:

This chapter mainly introduces the operation, showing the components and their functions.

### 4.1 Installation and connection

(1) First confirm whether the power supply voltage to be connected matches the requirements of the crilided height meter.

(2) Connect the gas source according to the size of the trachea.

### 4.2 The thousand points table is

introduced in detail

#### 4.2.1 Introduction of the button function:



dial table switch button, click this button to open the dial table, long press 3 seconds to close the dial table.

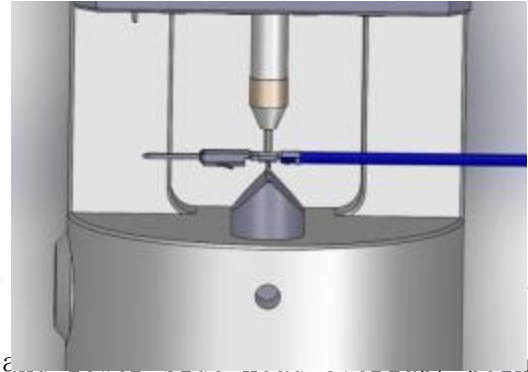
Thousand-meter adjustment button  
(Please see 4.3 Instructions Step 1)

#### 4.2.2 Rotation display:



The display dial can rotate for 330° to easily read the measurements from the desired angle.

### 4.3 Instructions for use



- (1) The instrument shall be adjusted for the  
the rear button to make the upper a

Click the SET button twice, show the value of 0.00, zero adjustment is completed before releasing the rear button.

- (2) As shown in the figure above, place the m type of the crushed terminal down as shown in the picture on the right, plane up, and placed in the center  
On the lower head plane, press the left hand on the rear small button, and observe that after the value of the micrometer is stable, the value is the accurate terminal compression height.

- (3) When not used again for a long time, gently press two back buttons to vent  
the gas. This action is to ensure a long time

Time was not used for measurement accuracy when reuse

