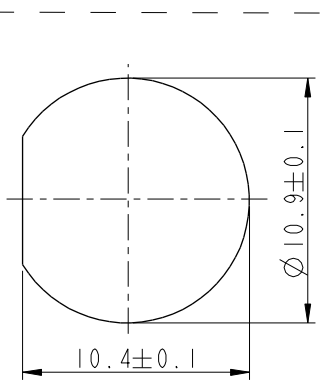
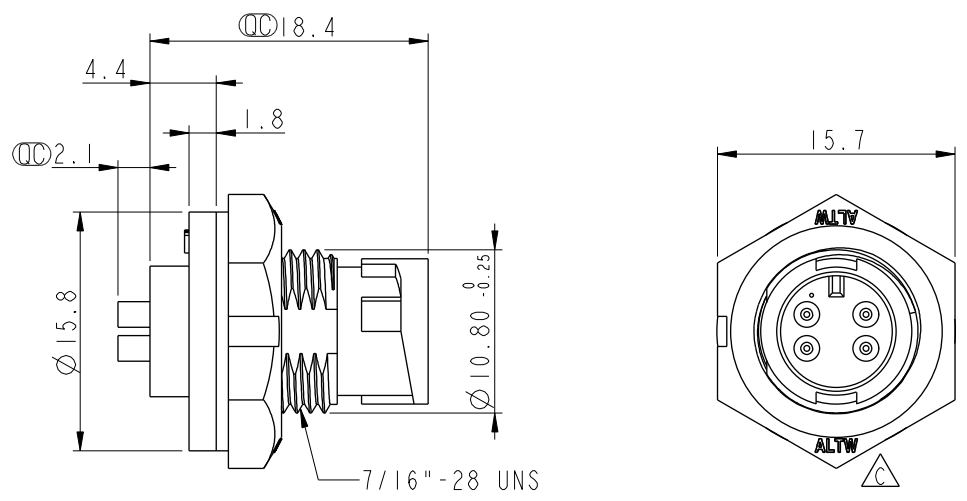
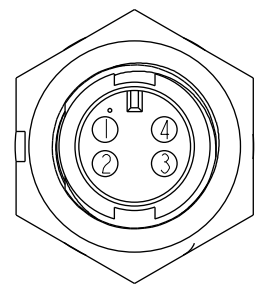


THIS DOCUMENT IS SUBJECT TO CHANGE WITHOUT NOTICE. IT IS CONFIDENTIAL AND A PROPERTY OF AMPHENOL LTW. DISCLOSURE TO THIRD PARTY HAS TO BE AUTHORIZED BY AMPHENOL LTW.

REV.	ECN NO.	DATE	SIGN	DESCRIPTION
B	LEN-8A0143	2008/09/15	Shin	Add Notes
C	LEN1530170	2014/12/18	Ruru	Change Logo
D	CI90268	2019/02/18	Ruru	Modify Note



Recommended Panel Cut-Out



Pin Assignments Front View



Note:

- * \varnothing Important Dimension.
 - * Waterproof Rate: IP67, Unmated
 - * Housing: Thermoplastic, Black
 - * Pin: Copper Alloy, Gold Plated
 - * Nut: Thermoplastic, Black
 - * Gasket: Rubber, Black
- A*** Use with waterproof cap or dust cap
Panel Thickness max: 2.5mm
- B*** Use without waterproof cap or dust cap
Panel Thickness max: 3.5mm
- * Gasket and Nut are packed separately in PE bags.

UNIT:mm TOLERANCE .X ±0.25 .XX ±0.1 .XXX ±0.05 ANGLES ±1°	TITLE Mini Panel Lock 4Pin M Conn. M Pin			Amphenol LTW 安費諾亮泰企業股份有限公司		ITEM NO AU-04PMMS-LC7001	DRAWN BY Ruru	DATE 2019-02-18
	SCALE 2:1	SIZE A4	SHEET 1 OF 1			DWG NO AU-04PMMS-LC7001	CHECKED BY Rita	DATE 2019-02-18
	REV. D	WC-REV. A.2	\varnothing : Inspection item	CUSTOMER ALTW	APPROVED BY Max	DATE 2019-02-18		
						8	WI0814-03-#01A2	

Mouser Electronics

Authorized Distributor

Click to View Pricing, Inventory, Delivery & Lifecycle Information:

[Amphenol:](#)

[AU-04PMMS-LC7001](#)