

SPECIFICATION:

ITME: EM-6B2

OUTPUT: 12.7KN

MAX. CRIMPING FORCE: INSULATED TERMINAL 5.5MM²

CRIMPING TIME: 1.5 SECONDS (60HZ)

1.8 SECONDS(50HZ)

VOLTS: AC200-230 V

POWER CONSUMPTION: 90W

DIMENSION: 325MM(L)X265MM(W)X150MM(H)

WEIGHT: 12KG

OPERATION MANUAL

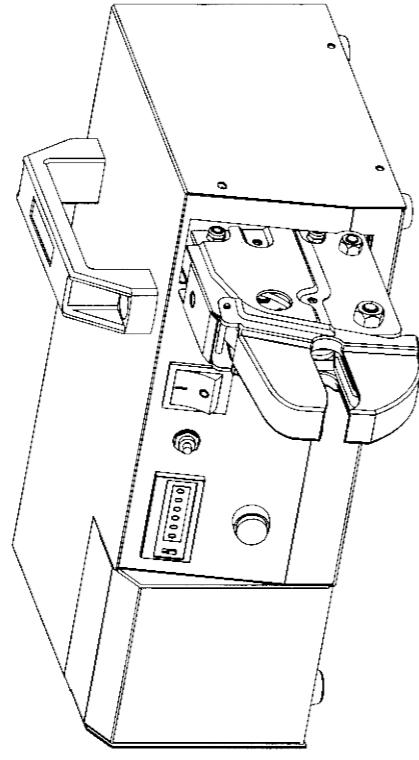
ON POWER CRIMPER EM-6B2



TYPES OF APPLICABLE CRIMPING TOOLS:

TYPE	SCOPE		TERMINAL	
	AWG	DIN		
LY-03C	20-10	0-5-6	INSULATED TERMINAL	
HS-10	22-10	1-5-6	INSULATED CABLE LINKS	
HS-101	17-7	1-0-10	INSULATED CABLE LINKS	
HS-04WFL	20-12	0-5-4	WIRE-END FERRULES	
HS-03B	17-12	1-0-4	INSULATED PLUGS CONNECTORS 4.8+6.3mm	
C-C7	CUTTING TERMINAL			
	CUTTING TERMINAL			
HS-02H	CUTTING TERMINAL			
	CUTTING TERMINAL			
55,58,59,62,140,142,223,303,400,FIBER OPTIC,BELDEN 8279				

NOTE: THE ABOVE TYPES AND SIZES ARE THE STANDARD CRIMPER. IF NEED TO BE IMPROVED OR ORDERED SPECIALLY, CONTACT WITH THE SUPPLIER.



 A04WFL 0.5-4mm ²	 A35WF 10-35mm ²
 A2BTW 2.5-6.0mm ²	 A04WF 1.0-6mm ²
 A03C 0.75-6mm ²	 A3DU 0.75-6mm ²
 A05FL 4.8-6.3mm ²	 A07FL 1.25-2.5mm ²

CAREFULLY READ THE OPERATION MANUAL BEFORE OPERATION. USE THIS CRIMPER ACCORDING TO THE MANUAL. TO CHECK THE VOLTS BEFORE PLUG IN THE POWER TO AVOID DAMAGE THE CRIMPER IF PLUG IN WRONGLY. THE POWER SOCKET NEED TO HAVE GROUNDING UNIT TO AVOID THE DANGER OF LEAKAGE AND HITTING BY ELECTRICITY. SWITCH OFF THE POWER TO AVOID TO HURT HAND WHEN CRIMPING DIES NEED TO BE CHANGED. IF POWER OFF HAPPENING LEAD TO UNFINISHED ACTION DURING OPERATION, SWITCH OFF THE POWER IMMEDIATELY. TURN ON THE POWER FOR OPERATION ONLY WHEN POWER IS ON AND SAFE. ONE TRANSPARENT PROTECTION COVER IS FITTED ON THE CRIMPING AREA. DON'T OPEN IT DURING OPERATION. IF DEFAULT HAPPEN, DON'T DISMANTLE IT. CONTACT WITH THE SUPPLIER FOR REPAIR.

PLEASE NOTE THE FOLLOWING POINTS WHEN CHOOSING OPERATION FIELD :

1. CHECK IF THE VOLTS ARE STABLE. DON'T SHARE THE SOCKET WITH OTHER ELECTRIC APPLIANCES.
2. LIGHT SOURCE AND BRIGHTNESS SHOULD BE SUFFICIENT.
3. THE CRIMPER SHOULD BE FIXED ON SMOOTH TABLE FOR OPERATION.
4. DON'T PUT COMBUSTIBLE OBJECTS AND TEA WATER NEAR THE CRIMPER TO AVOID DANGER OF HIGH TEMPERATURE AND FALLING DOWN.

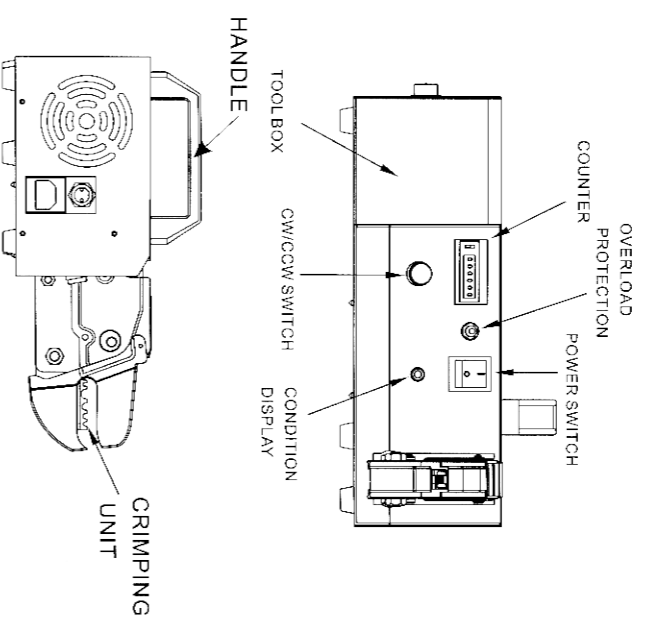
SAFETY WARNING

BRIEF INTRODUCTION ON CRIMPER

BRIEF INTRODUCTION:

DUE TO THIS CRIMPER ASSEMBLED WITH SPEED FIXED MOTOR, IT IS HIGH EFFICIENT IN GOOD QUALITY NOT ONLY ON CRIMPING FORCE BUT ALSO ON CRIMPING SPEED. IT IS APPLICABLE FOR TERMINAL CRIMPING IN MIDDLE OR LARGE QUANTITY. IF THERE ARE A LOT OF DIFFERENT KINDS OF TERMINALS TO BE CRIMPED, THIS CRIMPER IS THE BEST CHOICE FOR THIS BECAUSE ITS VERY SIMPLE AND QUICK TO CHANGE DIE SETS FOR THIS PURPOSE. MORE OVER THE CRIMPER MATCHES WITH ALL THE DIE SETS OF THE CRIMPING TOOLS IN THE MARKET. WE ALSO SUPPLY ALL KINDS OF DIE SETS FOR CRIMPING TERMINALS. A LOT OF WIDE RANGE FOR YOUR CHOICE.

OUTLOOK OF THE CRIMPER:

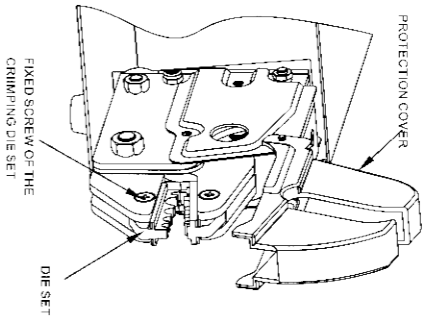


4

- OVERLOAD TO POWER OFF: TURN OFF THE POWER FIRST. PRESS THE SMALL POINT OF THE OVERLOAD PROTECTION BY SHARPENED OBJECT (BALL PEN). IF INVALID OR STILL TRIP OUT, SEND IT BACK TO THE SUPPLIER FOR REPAIR.
- CONDITION DISPLAY ON BUT NO ACTION. POSSIBLY THE ELECTRONIC CIRCUIT BOARD DEFAULT. CONTACT WITH THE SUPPLIER OR SEND IT BACK TO THE SUPPLIER.

CHANGE CRIMPING DIE SET:

- TURN OFF THE POWER.
- OPEN THE PROTECTION COVER.
- USE THE WRENCH TYPE L KEPT IN THE TOOL BOX FOR DISMANTLE FIXED SCREW OF THE CRIMPER.
- TAKE OFF THE OLD DIE SET AND PUT ON THE DEMANDED ONE.



MAINTENANCE AND STORAGE:

- THE CRIMPER IS ELECTRICAL- MECHANICAL PRODUCT SO THAT IT IS PROHIBITED TO BE OPERATED OR STORED IN HIGH TEMPERATURE CONDITION.
- APPLY SOME LUBRICANT ON THE MECHANICAL PARTS BEFORE USAGE TO EXTEND ITS SHELF LIFE.
- KEEP IT CLEAN AND RUST-FREE.

3

2

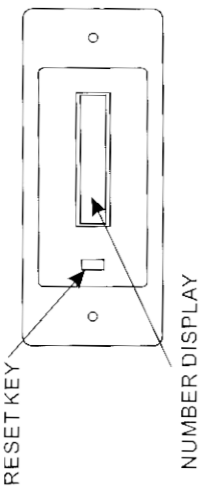
TURN CW/CCW SWITCH TO CCW BEFORE STEPPING ON PEDAL SWITCH. THEN TURN THE UNFINISHED TERMINAL SLOWLY.

2. WRONGLY CRIMPING:

TURN CW/CCW SWITCH TO CCW BEFORE STEPPING ON PEDAL SWITCH. THEN TURN ON THE UNFINISHED TERMINAL SLOWLY.

DEFAULT CONDITION AND SOLUTION.

- TEMPORARILY POWER OFF: IF POWER OFF DURING OPERATION, TURN OFF THE POWER IMMEDIATELY. IF POWER IS ON AGAIN, TURN CW/CCW SWITCH TO CCW FIRST. THEN TURN ON THE-POWER. THEN STEP ON THE PEDAL SWITCH ONE BY ONE TO LOOSEN UNFINISHED TERMINAL FOR CRIMPING AGAIN.
- WRONGLY CRIMPING: TURN CW/CCW SWITCH TO CCW BEFORE STEPPING ON PEDAL SWITCH. THEN TURN THE UNFINISHED TERMINAL SLOWLY.



5

OPERATION METHOD

- FRST MAKE SURE THE POWER SWITCH IS ON OF CONDITION. OPEN THE TRANSPARENT COVER FOR CHANGING SUITABLE CRIMPING DIE SET.
- CONNECT WITH POWER (MAKE SURE THE CORRECT SOCKET VOLT.) AND SET THE PEDAL SWITCH ON PROPER CONDITION.
- THE POWER INDICATOR SHOULD BE ON WHEN SWITCH ON THE POWER. BUT THE CONDITION DISPLAY SHOULD BE ON OFF.
- TURN THE CW/CCW SWITCH TO CW. THEN INSERT THE WIRES INTO THE TERMINAL AND SET IT ON PROPER CONDITION.
- STEP ON THE PEDAL SWITCH AND THE CONDITION DISPLAY SHOULD BE ON. THE CRIMPER SHOULD RUN. ABOUT TWO SECONDS, THE CRIMPING IS COMPLETED.
- ILLUSTRATION FOR THE COUNTER:

<p>0.5-1.0mm A101A</p>	<p>1.5-6mm A10</p>
<p>0.5-1.8mm A101B</p>	<p>1.0-4.0mm A457</p>
<p>4.5mm/6.5mm 7.0mm/1.7mm A05H</p>	<p>8.5mm/5.4mm 1.7mm A02H3</p>
<p>8.8mm/8.1mm 6.5mm A02H1</p>	<p>8.0mm/8.4mm 1.7mm A02H</p>