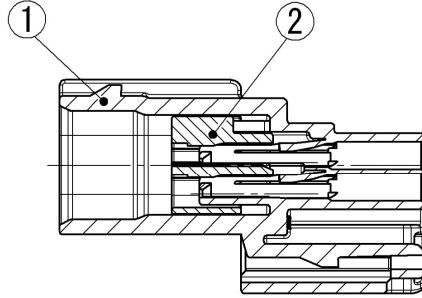
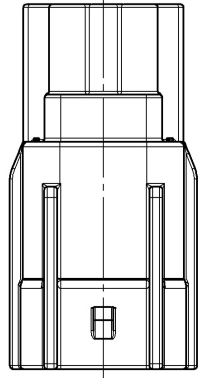


GENERAL TOLERANCE											
	10 MAX	50 MAX	100 MAX	250 MAX	250 OVR	R5 MAX	R10 MAX	R20 MAX	R20 OVR	ANGLE	ECCENT
A	±0.15	±0.2	±0.3	±0.5	±0.75					±3°	0.1
B	±0.2	±0.3	±0.55	±0.95	±1.4	±0.2	±0.3	±0.5	±2.5	±3°	0.1
◎	±0.3	±0.5	±0.8	±1.4	±2					±3°	0.15



SEC. A-A

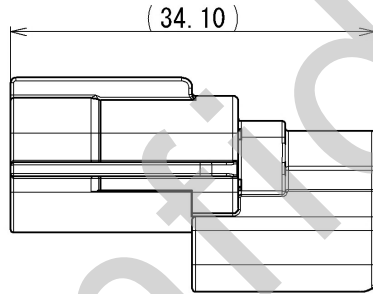
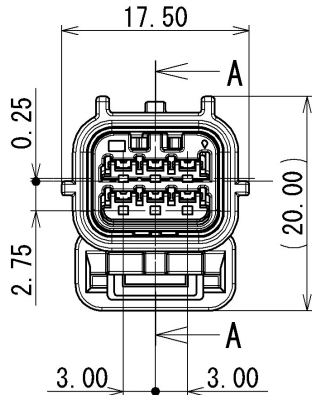


TABLE 1		TABLE 2		TABLE 3	
SUB ASSEMBLY PART NO. AND CH. CODE	NO.	PART NO. AND CH. CODE	MATERIAL	COLOR	QTY.
△ 7282-2764-30 ETC.	①	△ SEE TABLE 2	PBT	△ SEE TABLE 2	1
	②	7158-6623	PBT-G	NATURAL	1

TABLE 2		TABLE 3	
SUB ASSEMBLY PART NO. AND CH. CODE	PART NO. AND CH. CODE	COLOR	
△ 7282-2764	7182-2764	NATURAL	
7282-2764-30	7182-2764-30	BLACK	
△ 7282-2764-40	7182-2764-40	LIGHT GRAY	

注記

- △ 1. かん合相手品番 : 7283-2764-30 ETC.
- 2. 適用端子品番 : 7114-4415-02
- : 7114-4416-02
- : 7114-4417-02
- 3. 適用ゴム栓品番 : 7158-3165-90
- : 7158-3166-60
- : 7158-3167-80
- : 7158-3168-80
- 4. 適用防水栓品番 : 7158-3169-40

NOTES

- △ 1. MATING PART NO. : 7283-2764-30 ETC.
- 2. APPLICABLE TERMINAL NO. : 7114-4415-02
- : 7114-4416-02
- : 7114-4417-02
- 3. APPLICABLE SEAL RUBBER NO. : 7158-3165-90
- : 7158-3166-60
- : 7158-3167-80
- : 7158-3168-80
- 4. APPLICABLE UNUSED CAVITY PLUG : 7158-3169-40

ISSUE MARK

△ 3	12/08/31	ADDED PART NO.	C12-Z787	E. I	CUSTOMER	
△ 2	10/11/15	CHANGED PART NAME	C10-ZA95	G. M	CUSTOMER PART NO.	CUSTOMER DWG NO.
△ 1	05/03/14	ADDED PART NO., ETC.	C05-Z400	K. N		
	04/07/08	NEW	C04-Z729	K. N	OFFICE	TRIAL PART NO.
LET	DATE	REVISION RECORD	NO.	CHKD	VENDOR	

MATL. SPEC.	SEE TABLE	TREAT. & FIN.	
NAME	△ HS 025 6P SEALED HOUSING		
	SUB ASSEMBLY MALE		
PART NO. CH. CODE	△ 7282-2764-30 ETC.		
DWG NO.	7282-2764-30:R	SET DWG NO.	
YAZAKI CORPORATION			

GENERAL TOLERANCE							VENDOR NO.						
	10MAX	50MAX	100MAX	250MAX	250OVR	ANGLE	ECCENT	DWG TYPE	DWG SOURCE	DWG DATE	UNIT	SCL	ANGLE
A	±0.15	±0.2	±0.3	±0.5	±0.75	±30'	0.1	R	NEW	04/07/08	mm	2:1	3
B	±0.2	±0.3	±0.55	±0.95	±1.4	±30'	0.1	APPROVED	CHECKED	CHECKED	DESIGN	DRAWN	
C	±0.3	±0.5	±0.8	±1.4	±2	±30'	0.15	H. KANDA	K. SAWAIRI		K. NIIHO	E. ITALIA	
SPECIFIED							MASS						
								12/08/31	12/08/31		04/06/17	12/08/31	