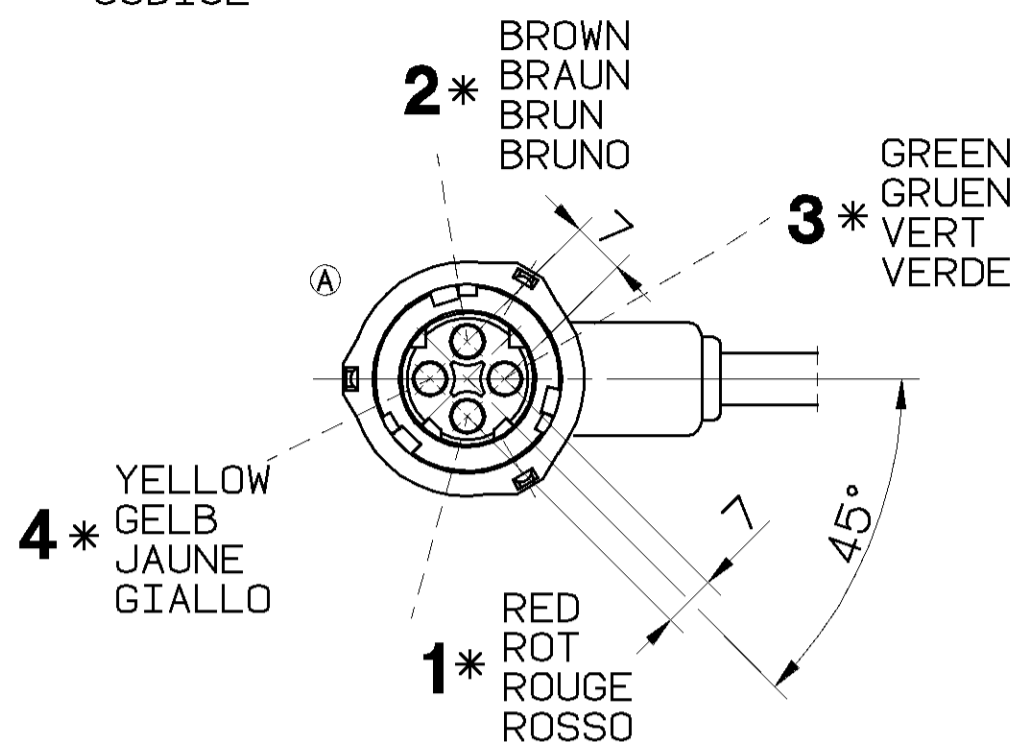


CODE  
CODIERUNG  
CODE  
CODICE

**DIN 72585-B1-4.1-Sn/K1**



4-CORE CABLE  
LEITUNG 4-ADRIIG  
CABLE A 4 CONDUCTEURS  
CAVO A 4 CONDUTTORI

PUR  
4x0.5mm<sup>2</sup>

THERMAL RANGE OF APPLICATION  
THERMISCHER ANWENDUNGSBEREICH  
GAMME D'APPLICATION THERMIQUE  
CAMPO DI APPLICAZIONE TERMICA

-40°C...+80°C

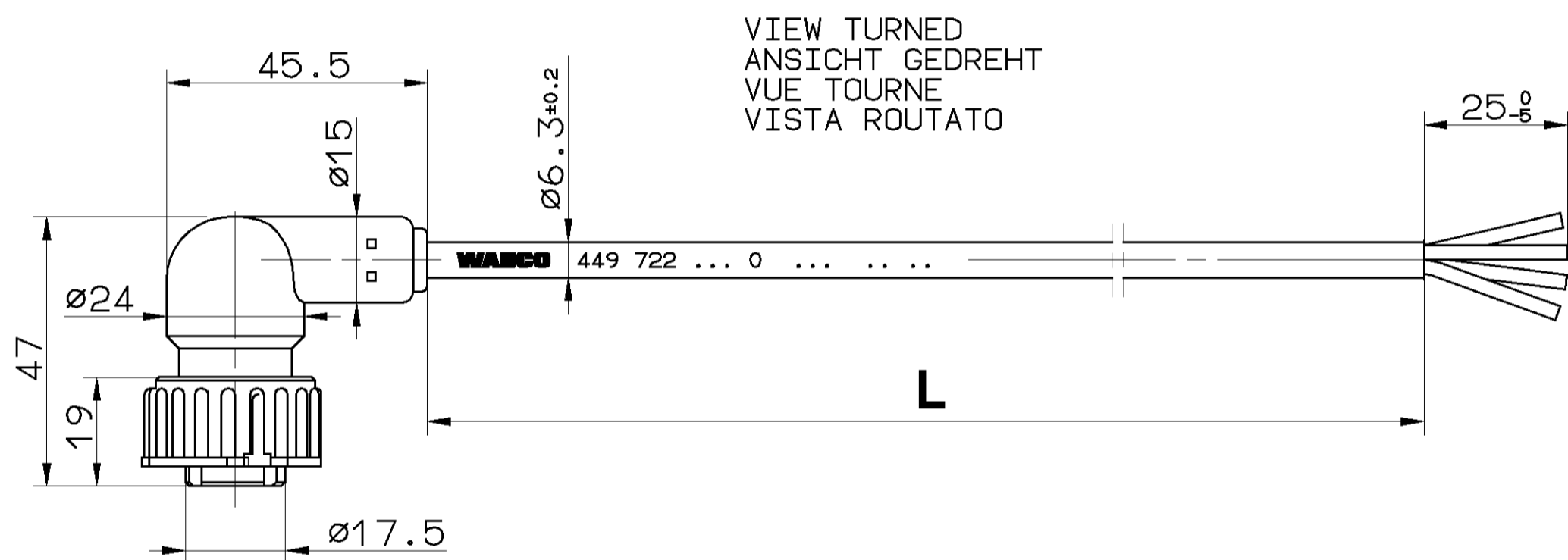
TYPE OF PROTECTION (IN CONNECTION WITH PLUG)  
SCHUTZART (IN VERBINDUNG MIT STECKER)  
MODE DE PROTECTION (DANS CONNECTION AVEC FICHE)  
TIPO DI PROTEZIONE (IN RELAZIONE CON SPINA)

IP 6K 7  
IP 6K 9K

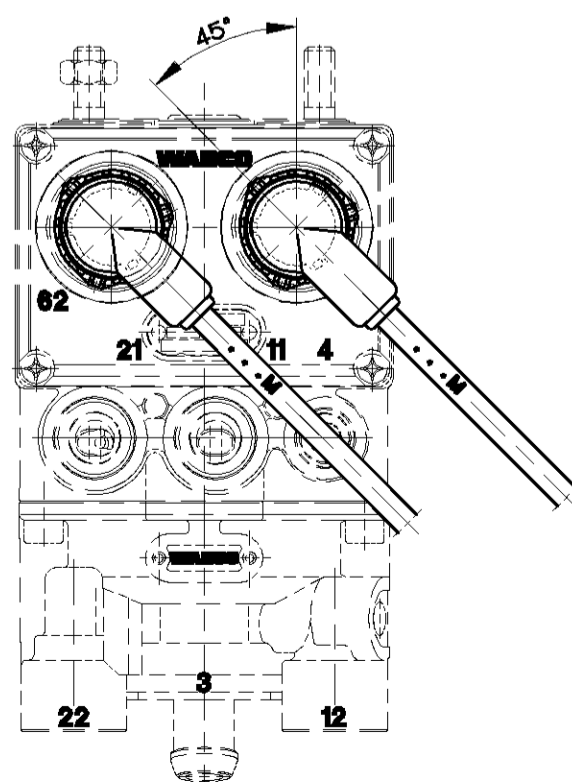
RESISTANT TO  
BESTAENDIG GEGEN  
RESISTANT A  
RESISTENTE A

AIR, WATER, MINERAL OIL, PETROL, DIESELOIL, SALTSpray  
LUFT, WASSER, MINERALOEL, BENZIN, DIESELOEL, SALZSPRUEHNEBEL  
AIR, EAU, HUILE MINERALE, ESSENCE, GASOIL, BROUILLARD SALIN  
ARIA, AQUA, OLIO, MINERALE, BENZINA, GASOLIO, NEBBIA SALINA

SURFACE PROTECTION :  
OBERFLAECHENSCHUTZ : Sn  
PROTECTION DE SURFACE :  
PROTEZIONE SUPERFICI :



①  
INSTALLED PLUG  
MONTIERTER STECKER  
FICHE MONTÉE  
SPINA MONTATO



\*\* DIN 16901-150

CODE OF LENGTH LAENGENCODIERUNG CODE DE LA LONGUEUR CODICE DEL LUNGHEZZA	
ORDER NUMBER BESTELLNUMMER NUMERO DE COMMANDE NUMERO DELL'ORDINE	L [m] 449 722 □□□ 0
EXAMPLE BEISPIEL ESEMPIO	L = 5m 449 722 050 0
MIN/MAX LENGTH MIN/MAX LAENGE MIN/MAX LONGUEUR MIN/MAX LUNGHEZZA	L <sub>min</sub> = 0.1m L <sub>max</sub> = 20.0m
TOLERANCES TOLERANZEN TOLERANCES TOLERANZA	L ≤ 10m ±0.050m L > 10m ±0.075m

GENERAL SPECIFICATION: JED-334 **		CADAM-DRAWING COPYRIGHT		<b>WABCO</b>	
FURTHER TECHNICAL DATA:		DATE: 96-05-22		DRAWN: WEBER	
DOC. CODE: SHEET: TO:		CHECKED: 96-05-22		OVERHAGE	
GENERAL TOLERANCES		STANDARDIZATION: 96-05-22		REPLACEMENT FOR: 884 010 101 0 AND 884 010 103 0	
CLASS 1)	RANGE OF NOMINAL DIMENSIONS ( ± mm )	TAPPED HOLES ACC. ISO 4039 / JED-182	060977	2xA	96-12-12
	≤50				
FINE	0,5 1,0 1,5 2,0	TOLERANCE CLASS APPLIED CROSSMARKED		DCN-NO. REV. DATE	
MEDIUM	1,0 2,0 3,0 4,0	1) TOLERANCE CLASS APPLIED CROSSMARKED		DATE	
COARSE	2,0 3,5 5,0 6,5	1) TOLERANCE CLASS APPLIED CROSSMARKED		DATE	
		MASS		SCALE	
		/ KG		1:1	
		SIZE		T.R.I.	
		A 2		142	
		PRODUCT IDENTIFICATION NO.		DOC. CODE SHEET	
		449 722 000 0		653 1/1	
		SHAPE CODE		REPLACEMENT FOR	
		[Symbol]		884 010 101 0 AND 884 010 103 0	
		EXPERT CODE 774		PRODUCT TYPE 011	

NON E' PERMESSO CONSERVARE A TERZI O RIPRODURRE QUESTO DOCUMENTO. NE UTILIZZARE IL CONTENUTO O RES-  
 AINSI E' CONSIDERATO IL RESERVATOIRE DEL DROIT DE PROPRIETE INDUSTRIELLE. E' FATAIL RESERVATI DA  
 BREVETTI O MODELLI.  
 COPIING OF THIS DOCUMENT AND GIVING IT TO OTHERS AND THE USE OF COMMUNICATION OF THE CONTENTS THEREOF,  
 ABUSE AND RESULT IN A LIABILITY TO THE PAYMENT OF DAMAGES. ALL RIGHTS ARE RESERVED IN THE EVENT OF THE  
 GRANT OF PATENT OR REGISTRATION OF A UTILITY MODEL OR DESIGN. THIS DOCUMENT IS THE SUBJECT OF COPYRIGHT.  
 TOUTE COMMUNICATION OU REPRODUCTION DE CE DOCUMENT, TOUTE EXPLOITATION OU COMMUNICATION DE SON CONTE-  
 NUT ET ENCORE SAN AUTEUR AU VERSANT DE DOMAGES ET INTERETS A TOUTS DROITS DE PROPRIETE  
 INDUSTRIELLE RESERVEES. NOTAMMENT EN MATIERE DE BREVETS ET DE MODELES.  
 WEITERGABE SOWIE VERWERTUNG ODER NUTZUNG AND MITTEILUNG DES INHALTS NICHT  
 MESSRACH DAR LAD VERPFLICHTEN ZU SCHADENSERSATZ. ALLE RECHTE FÜR DEN FALL DER PATENTIERUNG ODER  
 GEMÄSSNISTEN-EINTRAGUNG VORBEHALTEN.