

Intermediate Relay

中间继电器

General

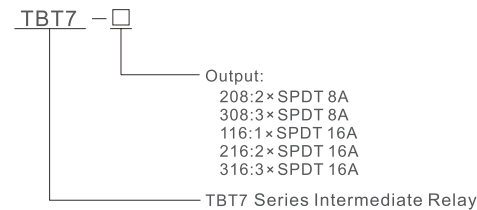
Applications

- intermediate relay used for switching larger load output, strengthen or multiplying contacts of the existing device.

Function Features

- Voltage range: AC/DC12V,24V,48V,110V,AC230V.
- relays TBT7-316 enable connection to a 3-phase circuit.
- Relay status is indicated by LED.
- 1-MODULE,DIN rail mounting.

Model and connotation



TBT7-108/116

TBT7-208/216

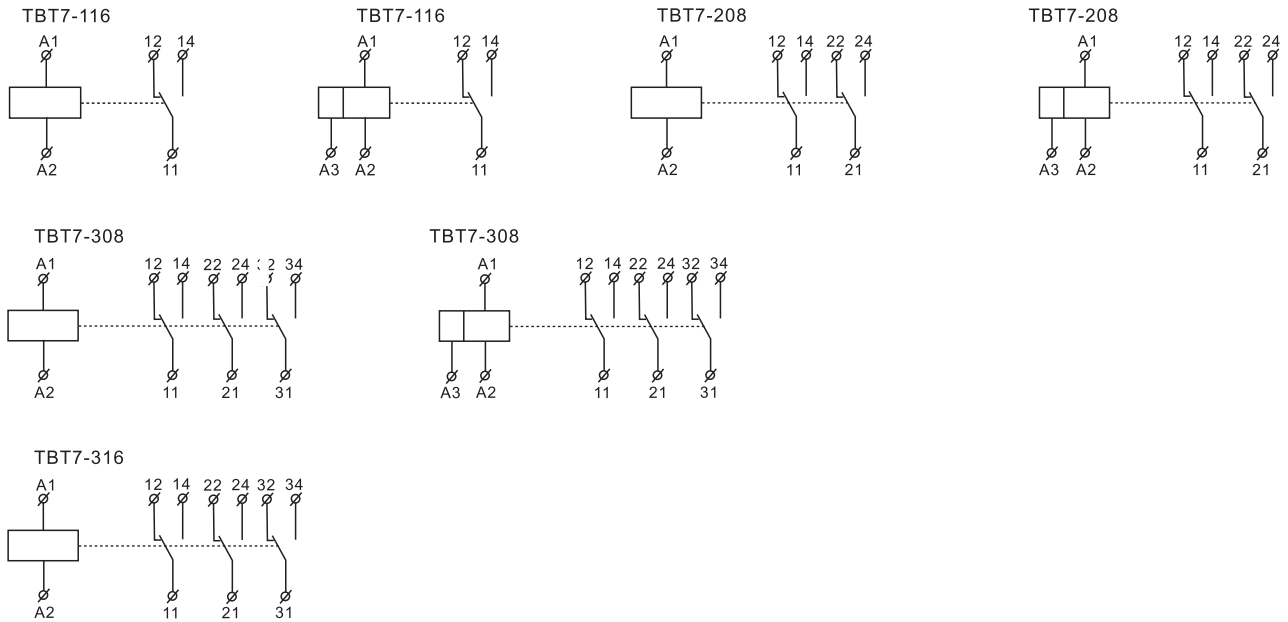
TBT7-308-316

Technical parameters

	TBT7-208	TBT7-308	
Supply terminals	A1-A2		
Voltage range	AC/DC 12V, 24V, 48V, AC110V, AC230V		
Burden	AC.max 12VAC/DC.max1.9W		
Supply terminals	A1-A2-A3		
Voltage range	AC230V(A1-A2), AC/DC24V(A1-A3)		
Burden	AC.max 12VAC/DC.max1.9W		
Supply voltage tolerance	-15%;+10%		
Max.charge over time	40ms		
Number of contact	2×SPDT	3×SPDT	
Current rating	8A/AC1		
Min.breaking capacity DC	500mW		
Output indication	Red RED		
Mechanical life	1×10 ⁷		
Electrical life(AC1)	1×10 ⁵		
Reset time	max.200ms		
Operating temperature	-20°C to +55°C (-4°F to 131°F)		
Storage temperature	-35°C to +75°C (-22°F to 158°F)		
Mounting/DIN rail	Din rail EN/IEC 60715		
Protection degree	IP40 for front panel/IP20 terminals		
Operating position	any		
Overvoltage category	III.		
Pollution degree	2		
Max .cable size (mm ²)	solid wire max. 1×2.5 or 2×1.5 with sleeve max. 1×2.5(AWG 12)		
Dimensions	95.5×18×64mm		
Weight	72g/82g	88g/98g	
	TBT7-116	TBT7-216	TBT7-316
Supply terminals	A1-A2		
Voltage range	AC/DC 12V, 24V, 48V, AC110V, AC230V		
Burden	AC.max 12VAC/DC.max1.9W		
Supply terminals	A1-A2-A3		
Voltage range	AC230V(A1-A2), AC/DC24V(A1-A3)		
Burden	AC.max 12VAC/DC.max1.9W		
Supply voltage tolerance	-15%;+10%		

	TBT7-116	TBT7-216	TBT7-316
Max.charge over time		40ms	
Number of contact	1×SPDT	2×SPDT	3×SPDT
Current rating		16A/AC1	
Min.breaking capacity DC		500mW	
Output indication		Red RED	
Mechanical life		1×10 ⁷	
Electrical life(AC1)		1×10 ⁵	
Reset time		max.200ms	
Operating temperature		-20°C to+ 55°C (-4°F to-131°F)	
Storage temperature		-35°C to+ 75°C (-22°F to-158°F)	
Mounting/DIN rail		Din rail EN/IEC 60715	
Protection degree		IP40 for front panel/IP20 terminals	
Operating position		any	
Overvoltage cathogory		III.	
Pollution degree		2	
Max .cable size (mm ²)	solid wire max. 1×2.5 or 2×1.5with sleeve max. 1×2.5(AWG 12)		
Dimensions	94×18×64mm		
Weight	56g/66g	72g/82g	88g/98g

Wiring Diagram



Dimensions(mm)

