

4

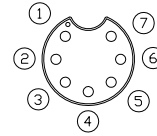
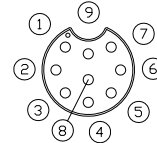
3

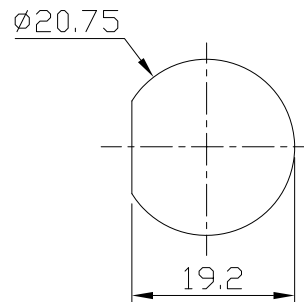
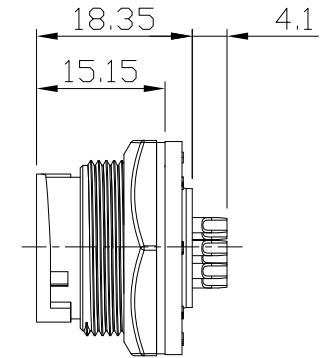
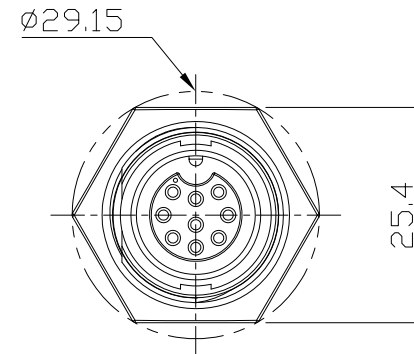
2

1

Notes: (Unless Otherwise Specified)

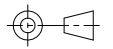
1. Ingress Protection Rating: IP67
2. Recommend Panel Thickness: 0.8 to 4.0 mm
3. Recommend Torque: 6~7 Kgf-cm
4. Mating Cap P/N: GT1C532122
5. RoHS Compliance

Item	P/N	Pin Assignment
1	GT153200-02070	
2	GT153200-02090	



Recommend Panel Cut-Out

UNIT:mm

METRIC		GT Contact CO.,LTD	
DRAFTER	DATE	NOTICE OF PROPRIETARY PROPERTY: THE INFORMATION CONTAINED HEREIN IS THE PROPRIETARY PROPERTY OF GT Contact CO.,LTD. THE POSSESSOR AGREES TO THE FOLLOWING: (1) TO MAINTAIN THIS DOCUMENT IN CONFIDENCE (2) NOT TO REPRODUCE OR COPY IT (3) NOT TO REVEAL OR PUBLISH IT IN WHOLE OR PART (4) ALL RIGHTS RESERVED	
APPROVED	DATE	TITLE C3 5A 7,9P Panel Female Solder Lock	
DIMENSIONS ARE IN MILLIMETER TOLERANCES		DRAWING NUMBER	REV.
XX ±0.5 X.XX ±0.20 X.XXX ±0.05 ANGLES ±0.5 ° DO NOT SCALE DRAWINGS		GT153200-02XX0	01
 THIRD ANGLE PROJECTION		SCALE N/A	SHT 2 OF 1

4

3

2

D

D

C

C

B

B

A

A