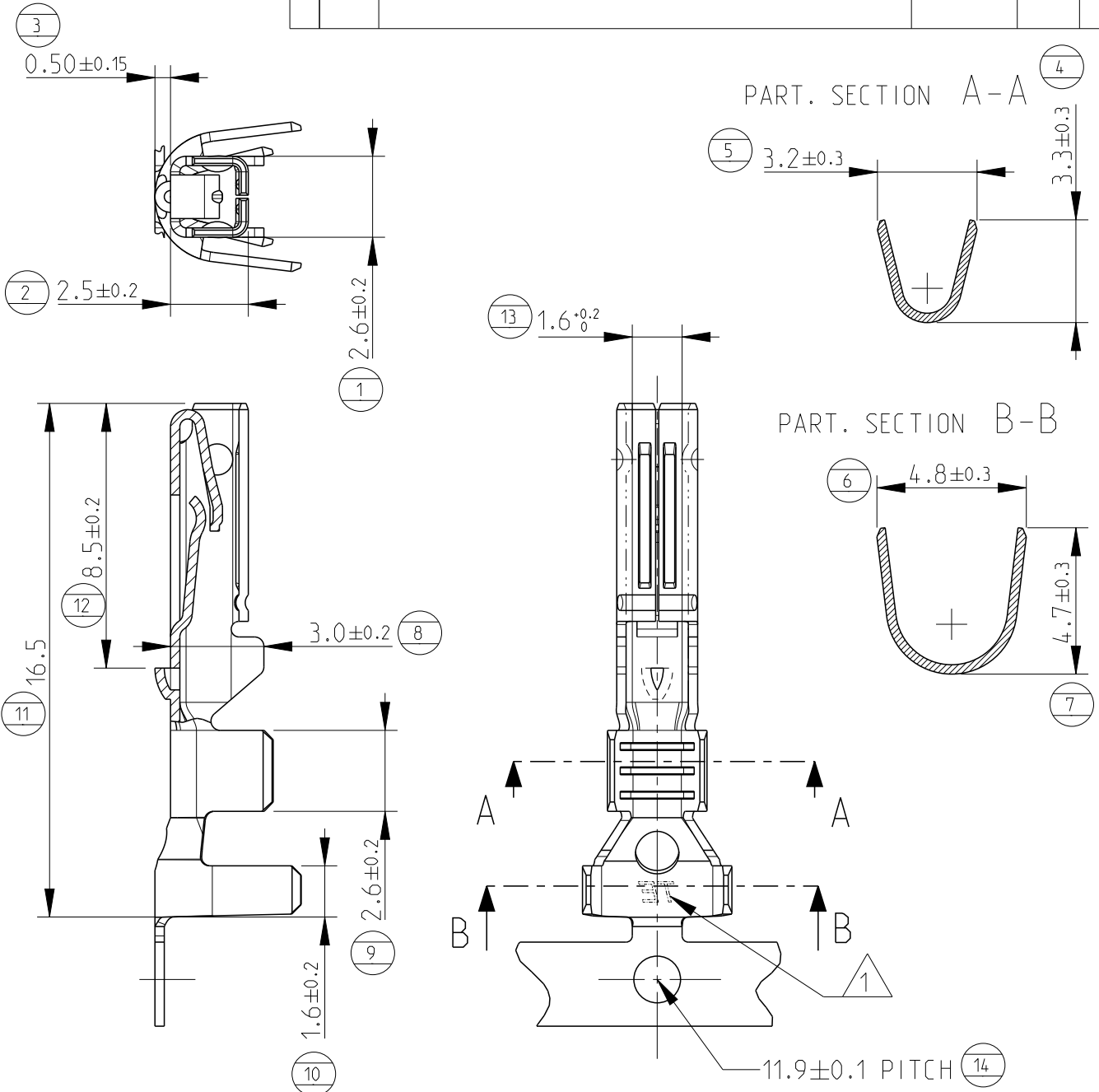


REVISIONS				
P	LTR	DESCRIPTION	DATE	DWN APVD
	D2	REVISED PER ECR-15-001967	11FEB2015	M.G. M.G.



- 1 "TE" LOGO OR, IN ALTERNATIVE, "AMP" LOGO
- 2) SUITABLE FOR SINGLE WIRE SEAL P/N 281934-...
- 3) WIRE SIZE RANGE: 0.75-1.5mm2

**P/N 282110-1 AS SHOWN**

20  
 RELEASED FOR PUBLICATION  
 ALL RIGHTS RESERVED.  
 BY -  
 COPYRIGHT 20

DIMENSIONS:		DWN	09Nov90	MATERIAL	PH. BRONZE	FINISH	PRE-TIN
mm		Bassano		TE Connectivity			
TOLERANCES UNLESS OTHERWISE SPECIFIED:		CHK	09Nov90				
0 PLC ±		Bertini		NAME MINI MIC SRS. RECEPTACLE CONTACT			
1 PLC ±0.3		APVD	-				
2 PLC ±		PRODUCT SPEC		SIZE A 4			
3 PLC ±		108-20090					
4 PLC ±		APPLICATION SPEC		CAGE CODE 00779			
ANGLES ±°		114-20045					
		WEIGHT		DRAWING NO C-282110			
		0.35gr					
Customer Drawing				SCALE		SHEET	
				5:1		1 OF 1	
						REV	
						D2	