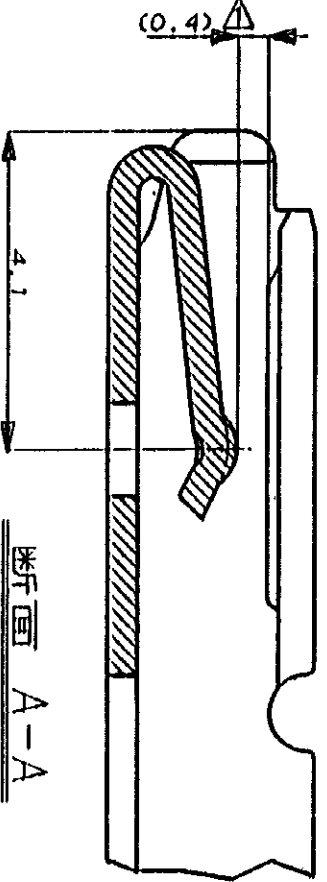


断面 C-C
(SECT. C-C)

断面 B-B
(SECT. B-B)



断面 A-A
SCALE: 10-1
(SECT. A-A)

0.5最大 (カットオフタブ)
(0.5 MAX CUT OFF TAB)

注:

- △ 0.65t タブと適合。
- 2. 嵌合相手タブ型番 172779, 172780
- 3. 製品規格 No. 108-5165, 5166.
- 4. 取付通用規格 No. 114-5071.
- 5. 相手ハワジョン型番 172500 他.

NOTES:

- △ HATE WITH 0.65c TAB.
- 2. MATE TAB P/N: 172779, 172780.
- 3. PRODUCT SPEC. No. 108-5165, 5166.
- 4. APPLICATION SPEC. No. 114-5071.
- 5. PLUG HSG P/N 172500 ETC.

172776-6	選分金メッキ (SELECTIVE GOLD) △	銅 (PHOS BRO)	172775-6	7
172776-5	メッキ (PRE-TIN)	銅 (PHOS BRO)	△1-172775-5	6
172776-1	メッキ (PRE-TIN)	銅 (BRASS)	△1-172775-1	5
172776-5	メッキ (PRE-TIN)	銅 (BRASS)	172775-5	4
172776-4	メッキ (PRE-TIN)	銅 (PHOS BRO)	172775-4	3
172776-2	選分金メッキ (SELECTIVE GOLD) △	銅 (BRASS)	172775-2	2
172776-1	メッキ (PRE-TIN)	銅 (BRASS)	172775-1	1

© 1982 BY AMP (JAPAN) LTD.
ALL RIGHTS RESERVED.
AMP PRODUCTS COVERED BY PATENTS
AND OR PATENTS PENDING

AMP | AMP (JAPAN), LTD.
Tokyo, Japan

REVISED PER ENG	MD	DATE
REDRAM W/CHANGE	K. SHI. T	4/19/89
REVISION RECORD	DR	CHK DATE

WIRE RANGE	0.3~0.89mm ² (AWG#22~#18)	INSULATION DIA	1.5~2.5 mmφ
MATERIAL	SEE TABLE	FINISH	SEE TABLE
DR.	K. B. 4/19/89	DR.	K. B. 4/19/89
CHK.	T. S. 4/19/89	APP.	M. T. 4/19/89

GENERAL TOLERANCE	SIZE	LOC	NUMBER
0-6K ± 0.2	C	J	C-172775
10-6K ± 0.25			
30-6K ± 0.3			
ANGLES ± 13°	SCALE	REV.	SHEET
	S-1	F	1 OF 1

CUSTOMER DRAWING