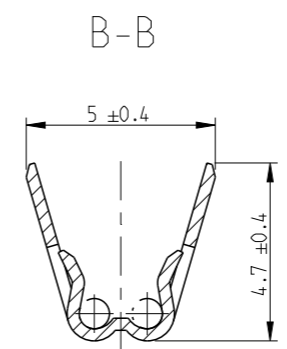
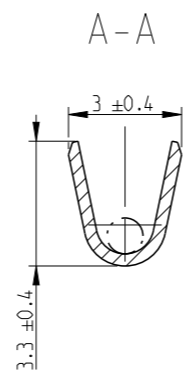
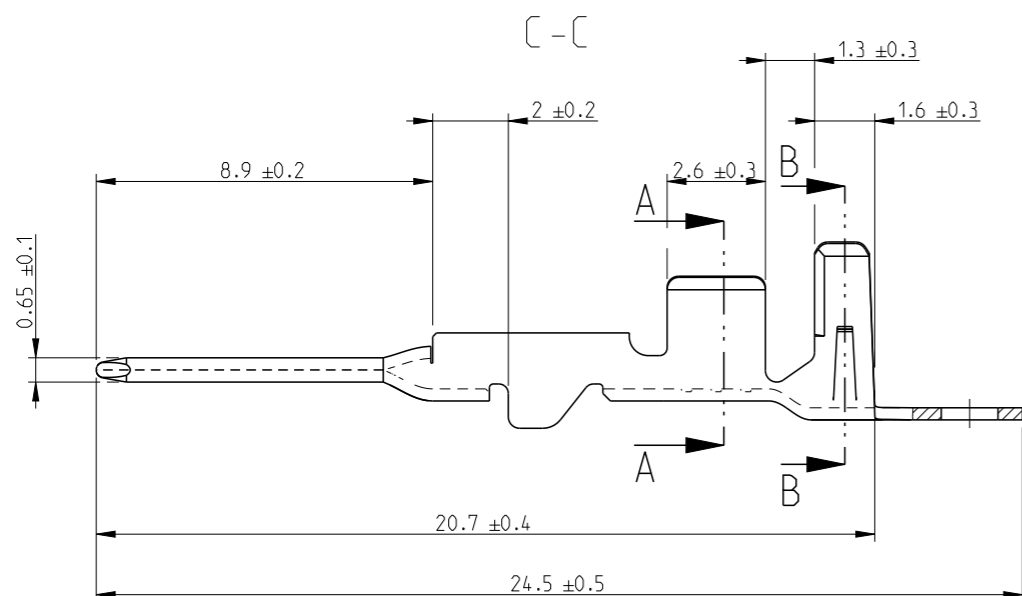
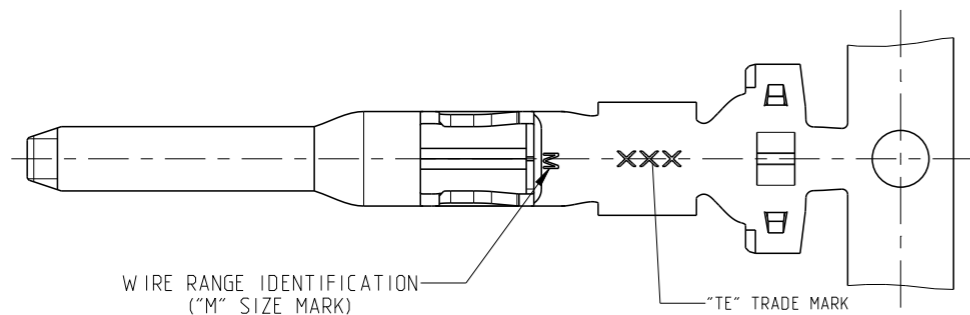
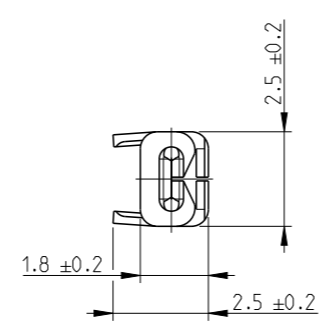
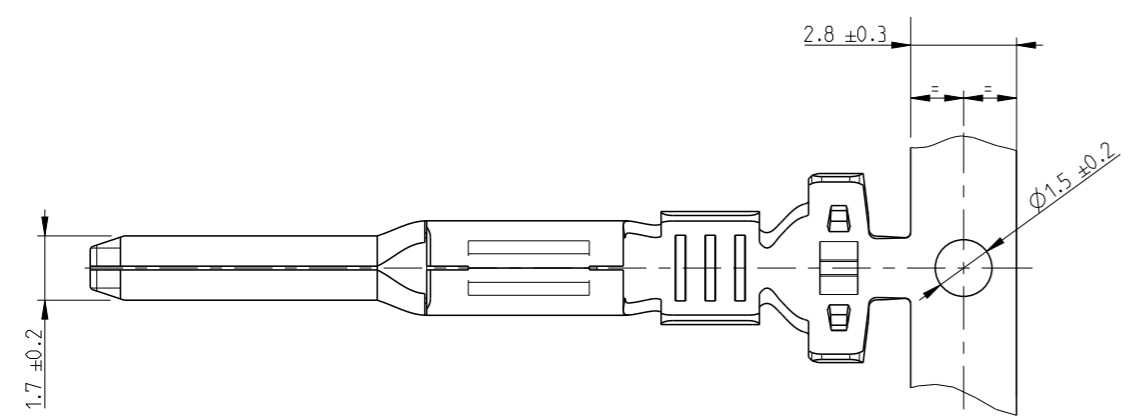


REVISIONS

P	LTR	DESCRIPTION	DATE	DWN	APVD
	A	IN PRODUCTION	-	R.M	-
	A1	REVISED FOR ET00-0402-97	15-10-1997	M.P	-
	C	REVISED FOR ET00-0088-03	9-06-03	M.P.	-
	C1	REDRAWN TO CREO	17APR2017	GH	JP



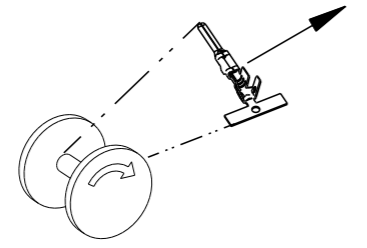
1. DELIVERY STATE: ITEM IS SUPPLIED REELED ON CARTON REEL WITH STRIP PITCH = 11.9±0.2mm  
 STATO DI FORNITURA: AVVOLTI SU BOBINA CON PASSO TRA TERMINALI DI = 11.9±0.2mm



CUSTOMER DRAWING FOR INFORMATION ONLY  
 DISEGNO PER CLIENTE SOLO PER RIFERIMENTO

PRE-TIN (PRE-STAGNATO)	BRASS (OTTONE)	282378-1
FINISH/COLOUR (FINITURE/COLORE)	MATERIAL (MATERIALE)	PART NUMBER

DIRECTION OFF TOP OF REEL  
 SENSO DI USCITA DALLA BOBINA



INS. DIA. RANGE (DIAM. ISOLANTE)	WIRE RANGE (RANGO FILO)
Ø1.9 - 2.6mm	0.75 - 1.5mm <sup>2</sup>

THIS DRAWING IS A CONTROLLED DOCUMENT.

DIMENSIONS: mm	TOLERANCES UNLESS OTHERWISE SPECIFIED:
	0 PLC ± 1 PLC ± 2 PLC ± 3 PLC ± 4 PLC ±
	±0.3
	ANGLES ±2°
MATERIAL	FINISH
-	-

DWN R. MARTINI	3JUN1993
CHK C. TARTARI	3JUN1993
APVD -	-
PRODUCT SPEC	108-20159
APPLICATION SPEC	114-20057
WEIGHT	-
CUSTOMER DRAWING	

		TE Connectivity	
		NAME .070 SERIES MULTILOCK TAB CONTACT	
SIZE A3	CAGE CODE -	DRAWING NO C=282378	RESTRICTED TO -
SCALE 5:1		SHEET 1 OF 1	REV C1