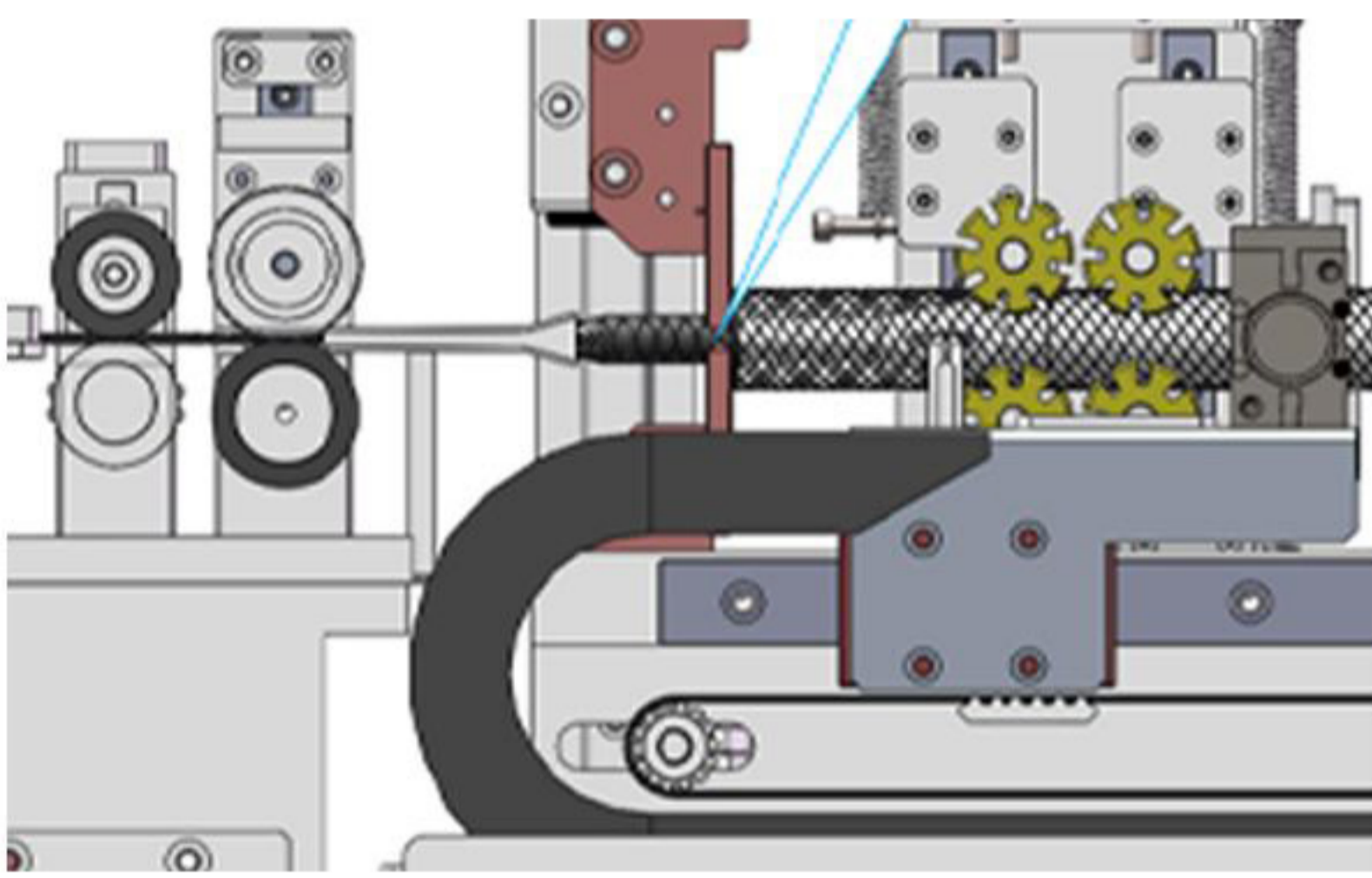


EW-1130 Braided Cable Sleeve Cutting and Inserting Machine



Features



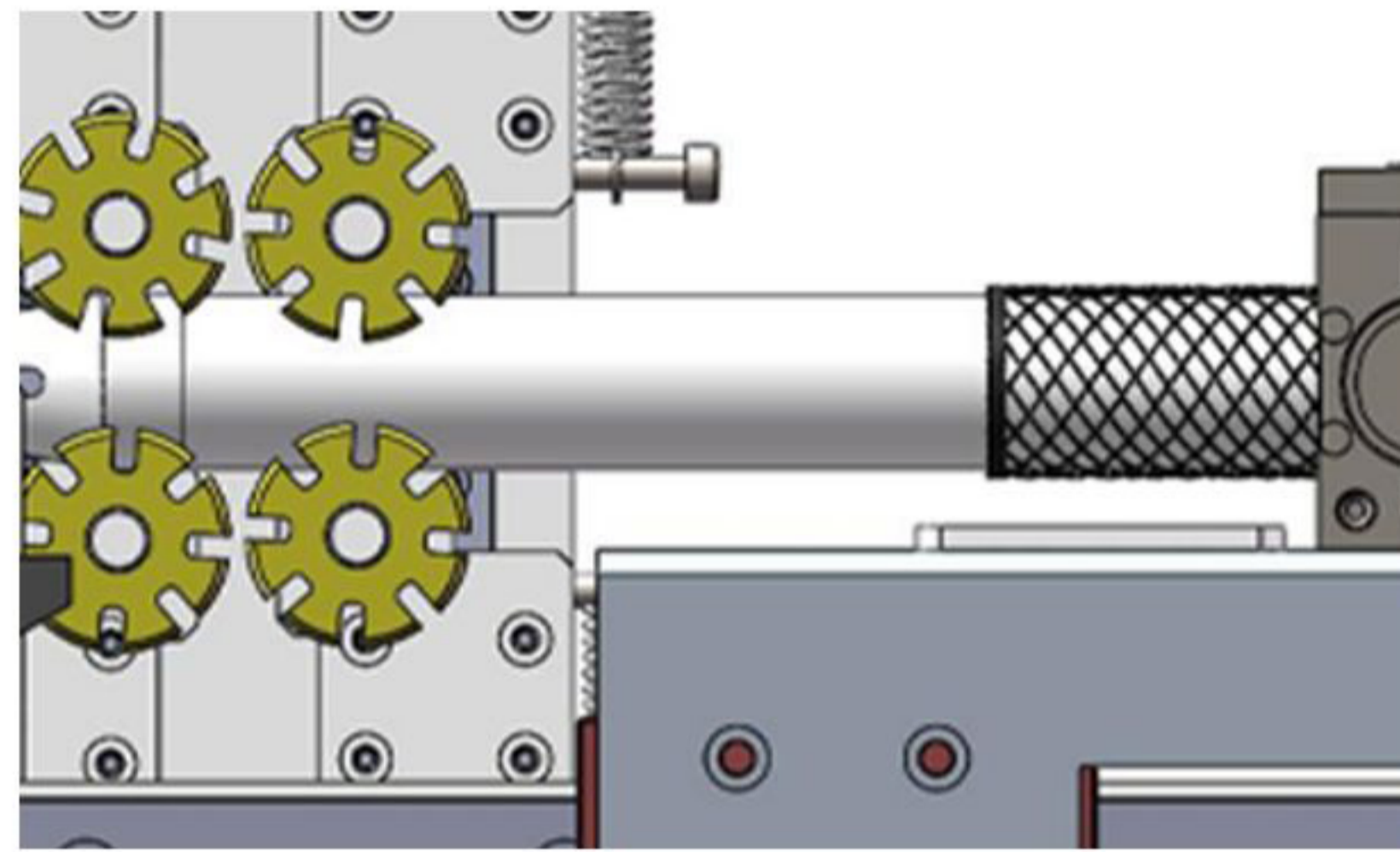
- High-Precision Automatic Cutting**
 Features a high-precision automatic cutting system with a micro-adjustable photoelectric control, ensuring accurate and clean cuts for various types of braided sleeving to a set length.



- Advanced PLC Control System**
 Utilizes a stable and programmable PLC control system, allowing for easy numerical setting of the desired net pipe length and ensuring consistent, reliable operation.



- Revolutionary User-Friendly Design**
 Incorporates a revolutionary human-centric design philosophy, making the machine exceptionally easy to operate and debug, which significantly simplifies the threading process.



- High-Speed & Versatile Performance**
 Offers high threading speed and wide applicability, efficiently handling multiple models of braided sleeve with stable performance and excellent threading results.

Technical data

Model	EW-1130
Applicable material	Nylon Braided Cable Sleeve (shock-absorbing mesh), material that can be melted and cut.
Applicable wire range	Customized (wire appearance size does not exceed the diameter of the pouring pipe)
Applicable range of material guide pipe	Diameter 6-25mm
Cutting accuracy	±3MM
Cutting length	100-3500mm (Special length can be customized)
Capacity	More than 600PCS/hour (depending on manual operation speed)
Power supply	Single phase AC 220V/50HZ
Power	400W/Hr
Operating temperature	-5°C~+40°C
Relative humidity	(40~90) %RH
Air supply	0.4~0.6MPA
Weight	About 240KG
Dimensions	500W*1350L*2400H(mm)

Note: Materials beyond the scope can be intelligently customized