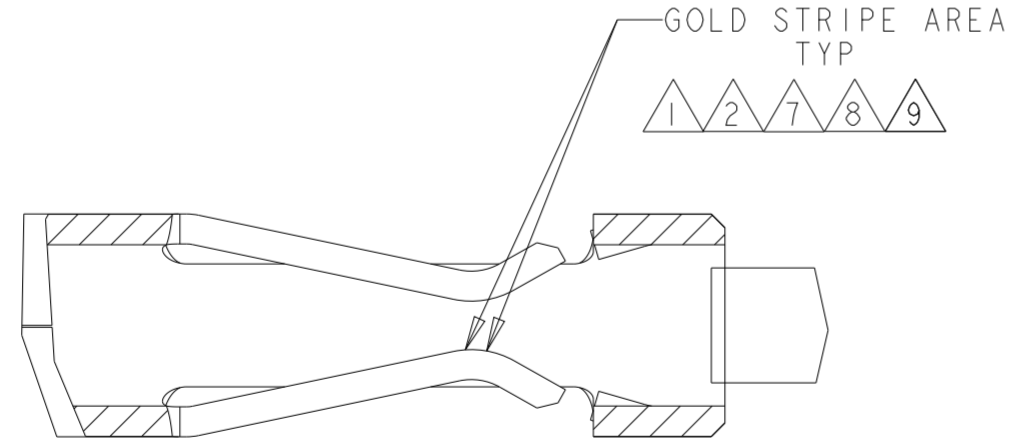
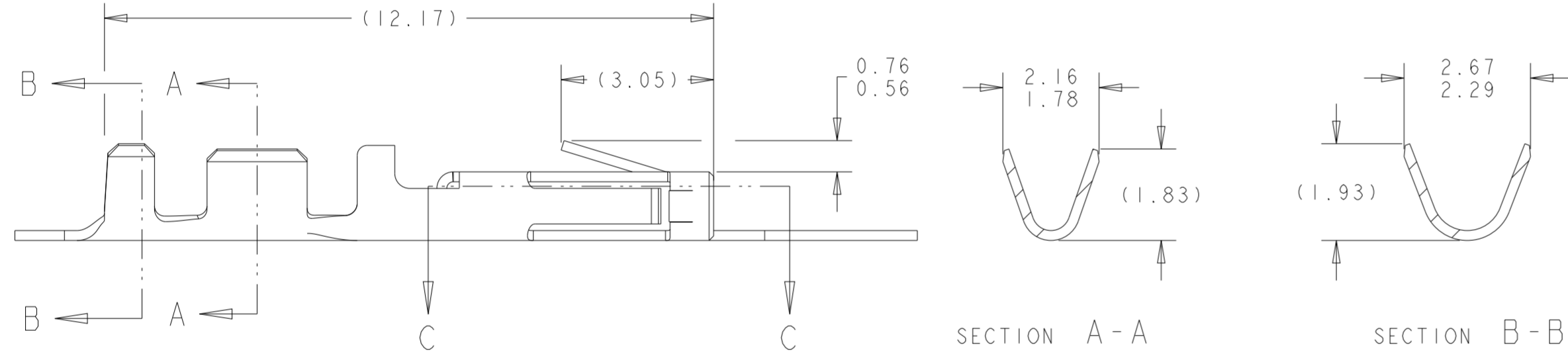
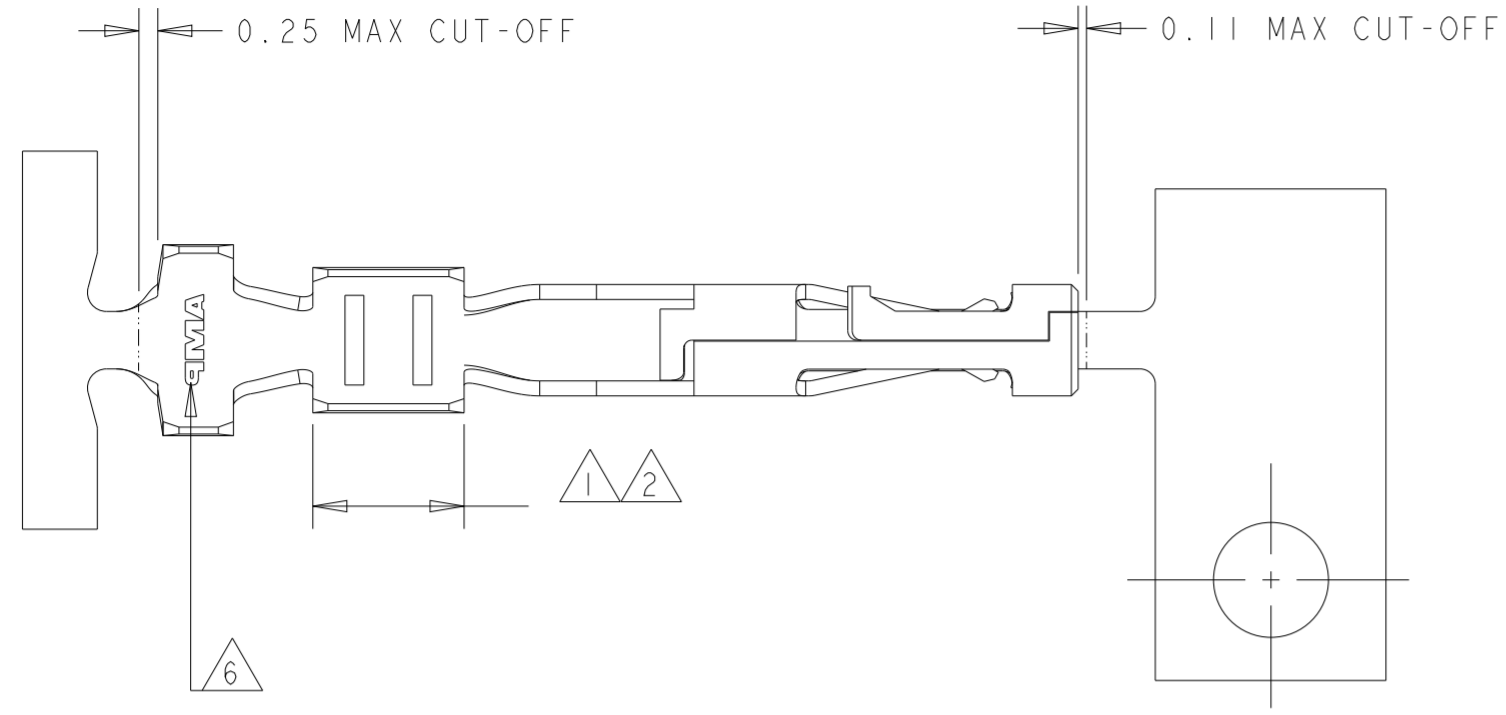


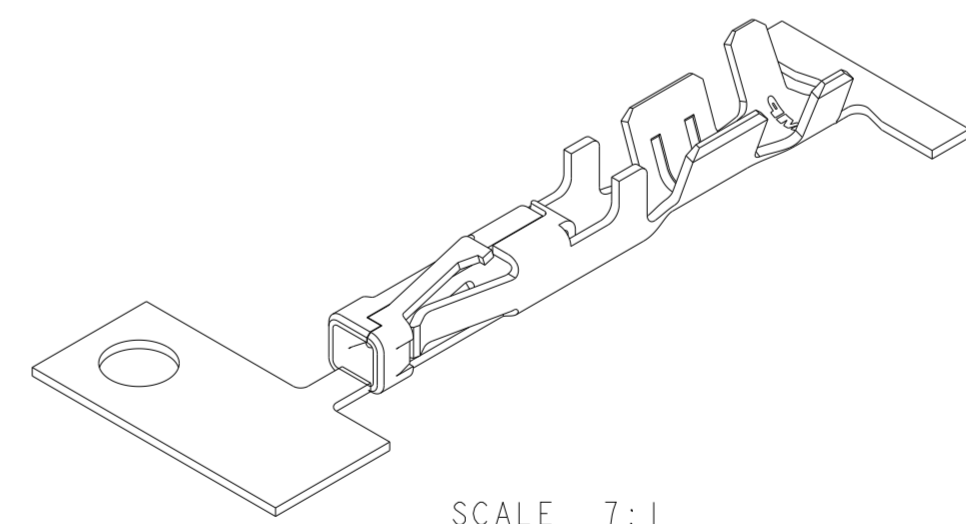
THIS DRAWING IS UNPUBLISHED. RELEASED FOR PUBLICATION
 © COPYRIGHT 20 BY - ALL RIGHTS RESERVED.

LOC		DIST		REVISIONS			
P	LTR	DESCRIPTION		DATE	DWN	APVD	
		H3		REVISED PER ECO-11-025415	20DEC11	JR	TM
		H4		ECO-19-006909	03MAY2019	AP	WS
		J		REVISED PER ECN-25-313010	27MAR2025	WLS	JP



SECTION C-C
SCALE 20:1

- 1 BRIGHT TIN IN THE CRIMP AREA, OVER NICKEL PLATE,
0.76µm MIN. THK. GOLD STRIPE,
OR
0.0762µm MIN. THK. GOLD FLASH OVER 0.69µm MIN. THK. PALLADIUM NICKEL
IN THE GOLD STRIPE AREA PER TE CONNECTIVITY'S DISCRETION.
- 2 BRIGHT TIN IN THE CRIMP AREA, OVER NICKEL PLATE,
0.38µm MIN. THK. GOLD STRIPE,
OR
0.0762µm MIN. THK. GOLD FLASH OVER 0.31µm MIN. THK. PALLADIUM NICKEL
IN THE GOLD STRIPE AREA PER TE CONNECTIVITY'S DISCRETION.
- 3 1.5 - 4.0µm THK. BRIGHT TIN.
- 4 WIRE RANGE: 20 - 24 AWG.
- 5 INSULATION RANGE: 0.89 - 1.524 mm.
- 6 AMP LOGO LOCATED APPROXIMATELY AS SHOWN.
- 7 0.76µm MIN. THK. GOLD STRIPE IN THE GOLD PLATE AREA,
BRIGHT TIN-LEAD IN THE CRIMP AREA, OVER NICKEL PLATE.
- 8 0.38µm MIN. THK. GOLD STRIPE IN THE GOLD PLATE AREA,
BRIGHT TIN-LEAD IN THE CRIMP AREA, OVER NICKEL PLATE.
- 9 1.02µm MIN. THK. GOLD STRIPE IN THE GOLD PLATE AREA,
BRIGHT TIN IN THE CRIMP AREA, OVER NICKEL PLATE.



SCALE 7:1

9	1-794606-3
1	1-794606-2
2	1-794606-1
7	794606-3
8	794606-2
3	794606-1
FINISH	PART NUMBER

METRIC

THIS DRAWING IS A CONTROLLED DOCUMENT.		DWN K. WHITAKER 12-OCT-1999	TE Connectivity	
DIMENSIONS: mm		CHK K. COBLE 12-OCT-1999		
TOLERANCES UNLESS OTHERWISE SPECIFIED:		APVD K. COBLE 12-OCT-1999	NAME	
0 PLC ±		PRODUCT SPEC	CONTACT, RECEPTACLE, CRIMP, SNAP-IN, MICRO MATE-N-LOK(TM)	
1 PLC ±		108-1836	SIZE	CAGE CODE
2 PLC ±0.20		APPLICATION SPEC	A2	00779
3 PLC ±		114-13000	DRAWING NO C-794606	
4 PLC ±		WEIGHT	RESTRICTED TO	
ANGLES ±°		-	-	
FINISH		CUSTOMER DRAWING	SCALE	SHEET
0.2 PH BRZ SEE TABLE			10:1	1 OF 1
				REV J