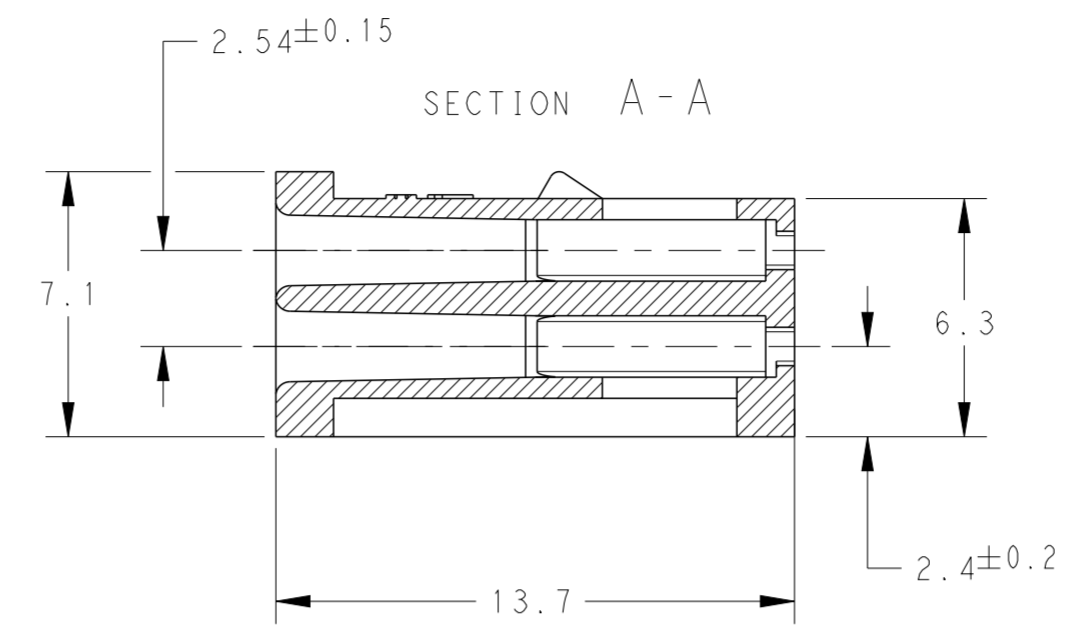
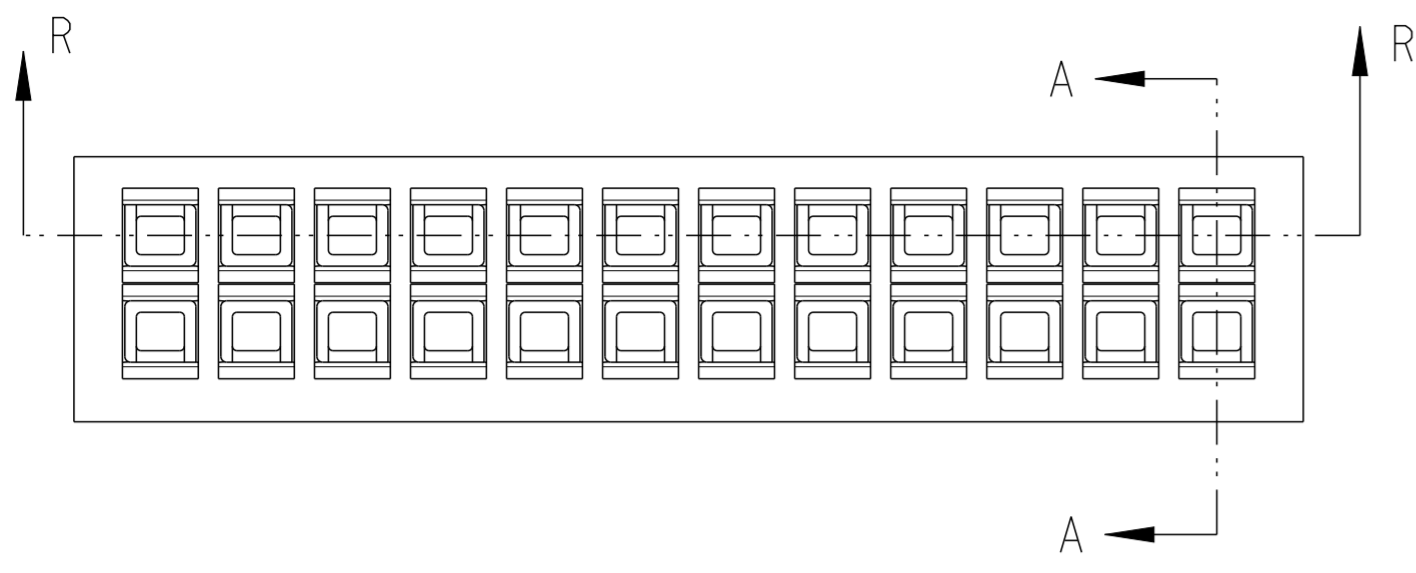
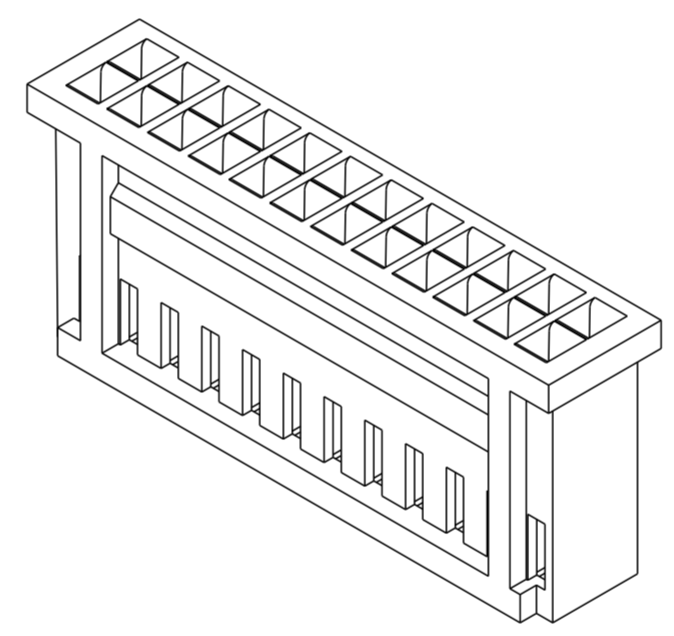
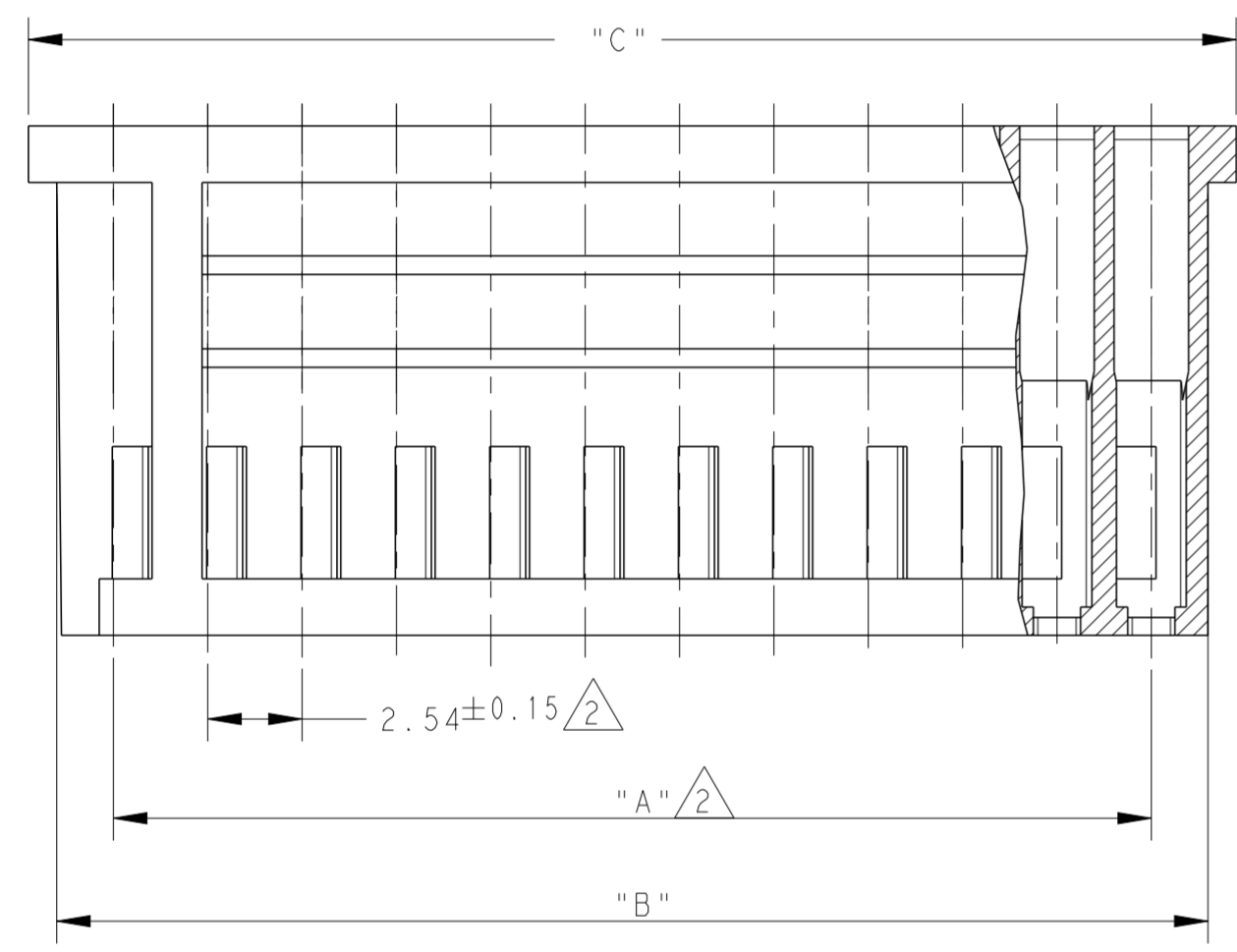


THIS DRAWING IS UNPUBLISHED. RELEASED FOR PUBLICATION  
 © COPYRIGHT copyright.d8te- ALL RIGHTS RESERVED.

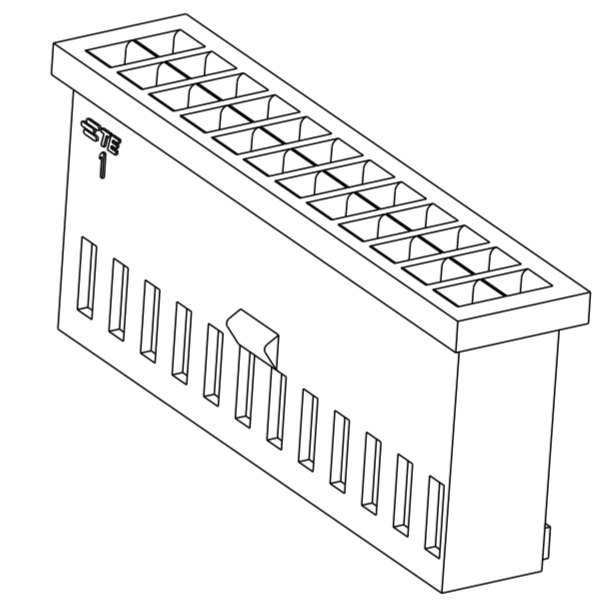
REVISIONS				
P	LTR	DESCRIPTION	DATE	APVD
AA		MATERIAL CHANGE TO LCP. NEW HORIZONTAL RIB FEATURE ADDED	17OCT2018	KJK PS



SECTION R-R

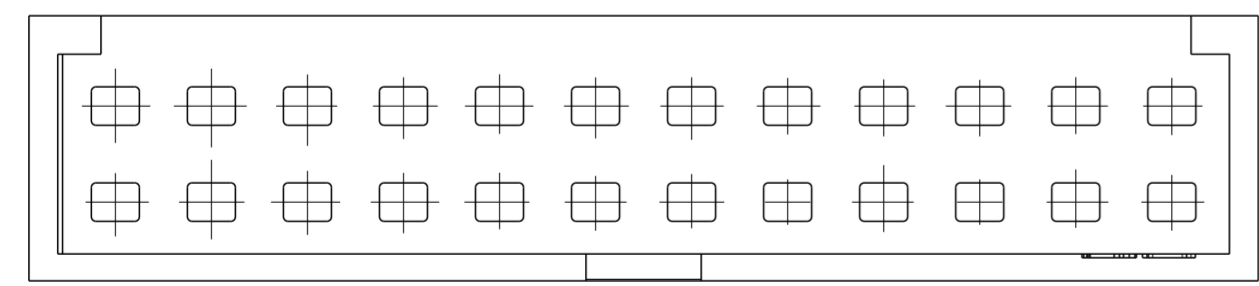


SCALE 3:1



SCALE 3:1

- NOTES:
- 1 LCP, BLACK, UL94V-0
  - 2 TOLERANCE NOT CUMULATIVE



NUM OF POS	PART NUMBER	DIM "A"	DIM "B"	DIM "C"	MATERIAL
22	280369	53.34	56.40	57.90	⚠
18	281018	43.18	46.20	47.80	
15	280368	35.56	38.60	40.10	
12	280515	27.94	31.00	32.50	
9	280513	20.32	23.30	24.90	
8	280366	17.78	20.80	22.30	
6	282792-1	12.70	15.70	17.20	
5	284123-1	10.16	13.20	14.70	
4	280365	7.62	10.60	12.20	

THIS DRAWING IS A CONTROLLED DOCUMENT.

DIMENSIONS:	TOLERANCES UNLESS OTHERWISE SPECIFIED:	DWN	17OCT2018	<b>STE</b> TE Connectivity
mm	0 PLC ±0.3	CHK	17OCT2018	
	1 PLC ±	APVD	17OCT2018	
	2 PLC ±	PRASHANTH S	PRODUCT SPEC	
MATERIAL	3 PLC ±	APVD	17OCT2018	NAME
-	4 PLC ±	PRASHANTH S	APPLICATION SPEC	AMPMODU MOD.11
-	ANGLES ±2°	114-20004	WEIGHT	DOUBLE ROW, REC. CONTACT HOUSING
-	FINISH	-	SCALE	CRIMP SNAP-IN
			5:1	
			SHEET	
			1	
			OF	
			1	
			REV	
			AA	